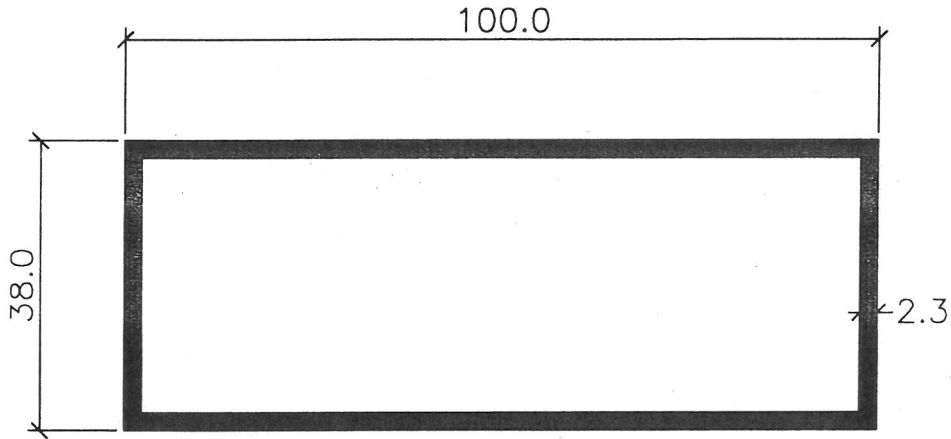
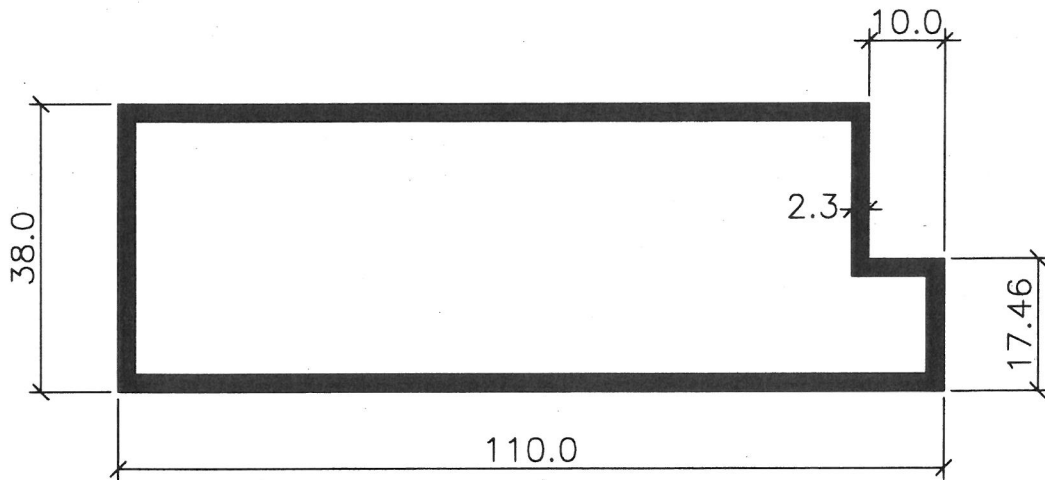


SUBSTATION



1320



2120

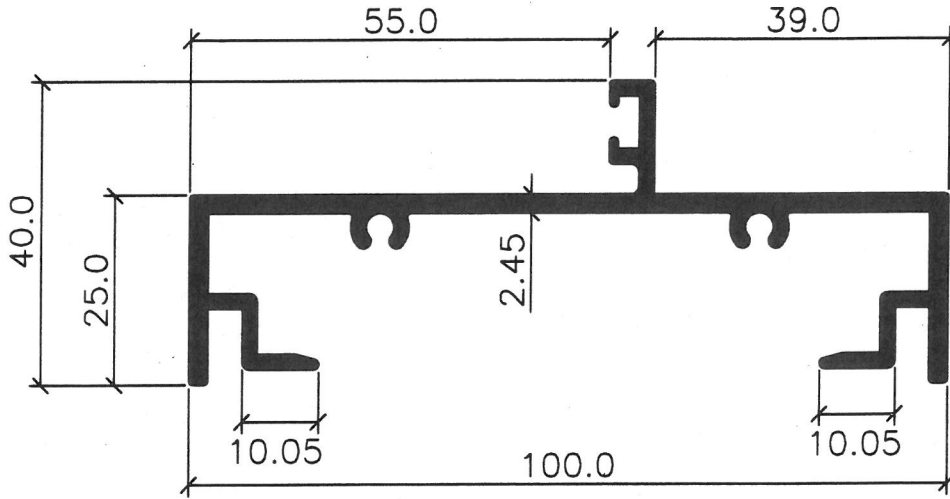


28/1/08

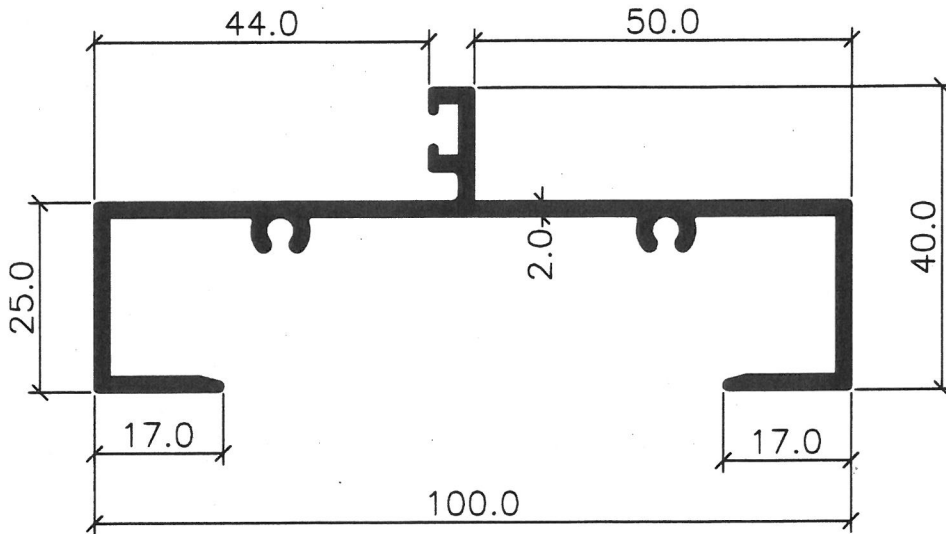
NOTE:

- THE DRAWINGS ARE NOT TO SCALE
- ALL DIMENSION ARE SHOWN IN MM, OTHERWISE WOULD BE STATED
- DRAWING AS UPDATED ON 18.01.08

SUBSTATION



2134



2134S



NOTE:

- THE DRAWINGS ARE NOT TO SCALE
- ALL DIMENSION ARE SHOWN IN MM, OTHERWISE WOULD BE STATED
- DRAWING AS UPDATED ON 29.01.08