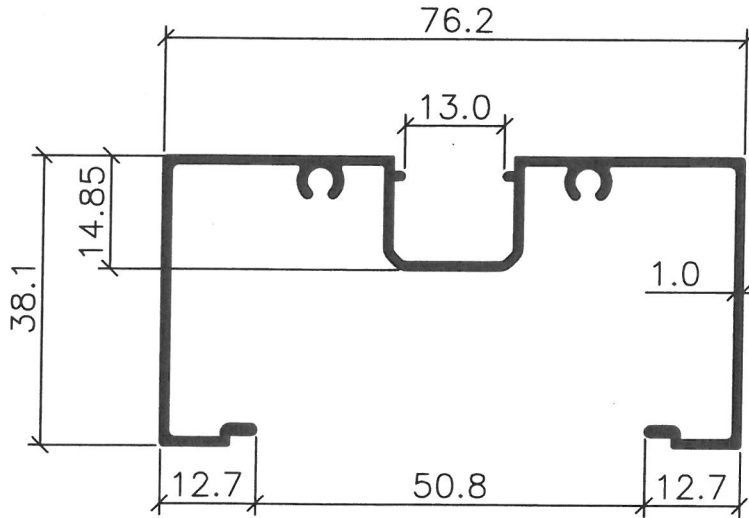
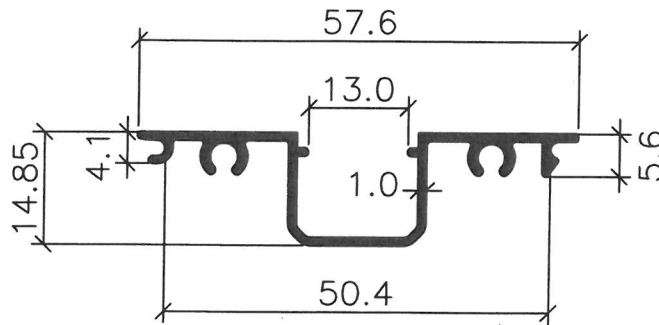


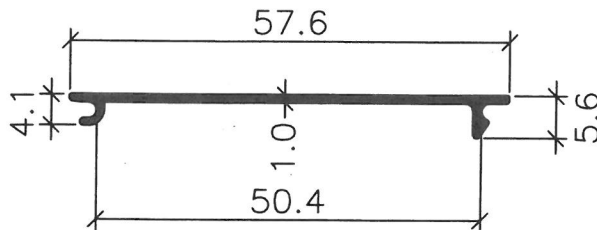
MISCELLANEOUS - SHOP FRONT
(THICKNESS 1.0mm)



ED02558.



ED02573.



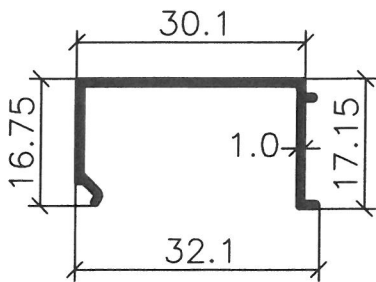
ED01099.

NOTE:

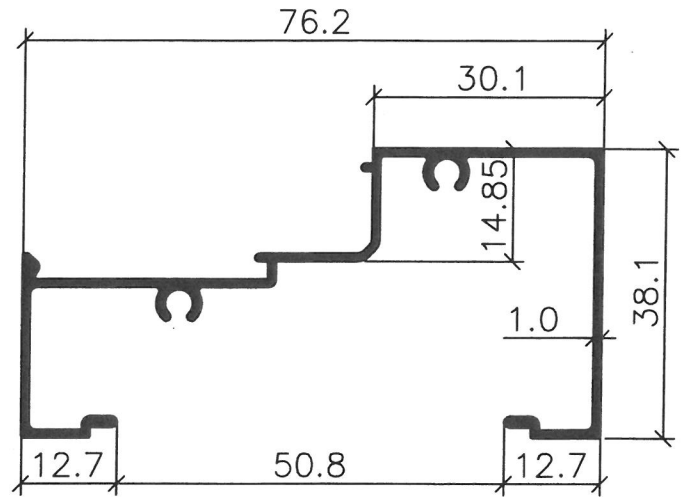
- THE DRAWINGS ARE NOT TO SCALE
- ALL DIMENSION ARE SHOWN IN MM, OTHERWISE WOULD BE STATED
- DRAWING AS UPDATED ON 18.01.17



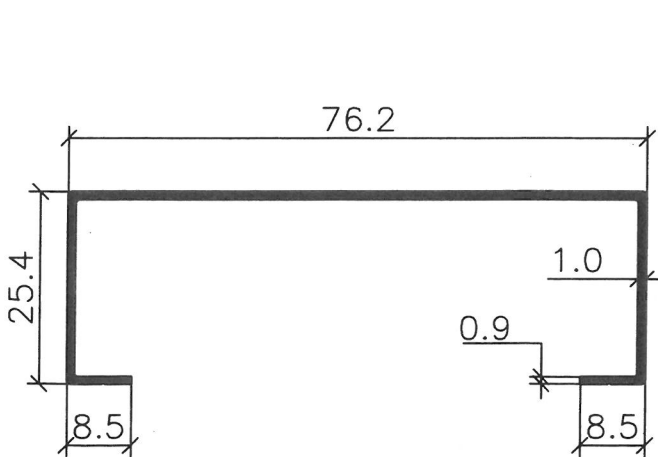
MISCELLANEOUS - SHOP FRONT
(THICKNESS 1.0mm)



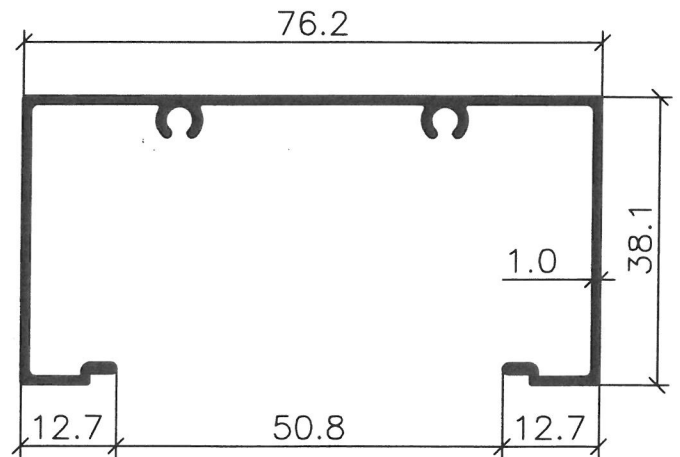
ED01137.



ED02557.



ED02804.

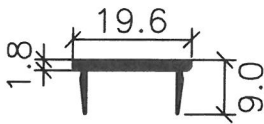


ED02559.

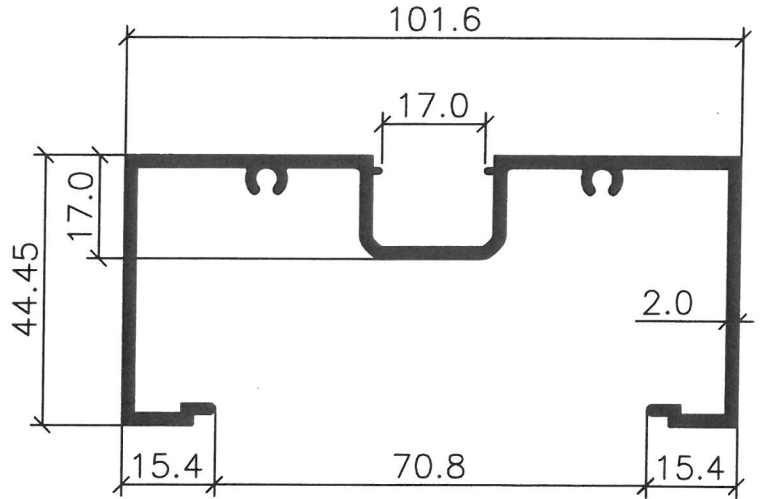


NOTE:
- THE DRAWINGS ARE NOT TO SCALE
- ALL DIMENSION ARE SHOWN IN MM, OTHERWISE WOULD BE STATED
- DRAWING AS UPDATED ON 18.01.17

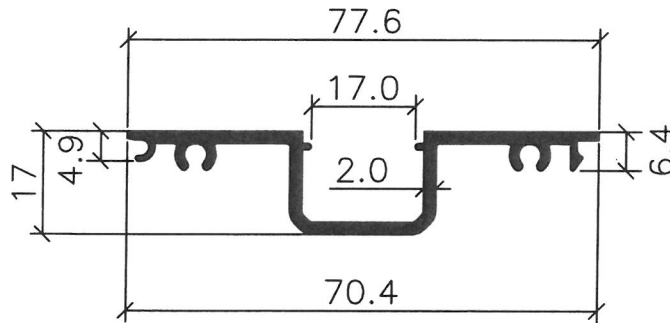
MISCELLANEOUS - SHOP FRONT
(THICKNESS 2.0mm)



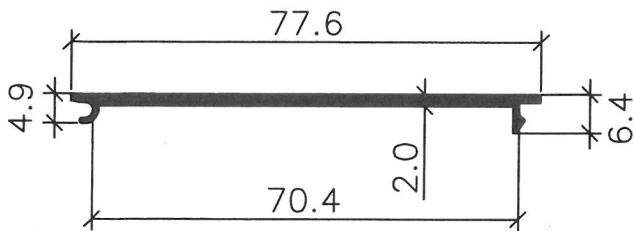
2206



2202

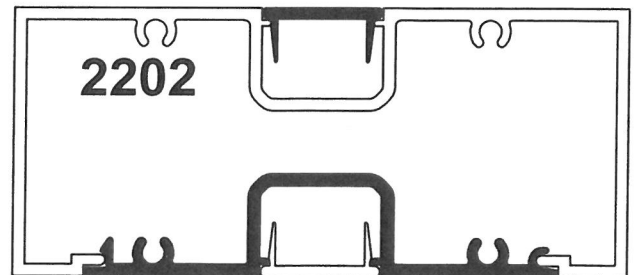


2203



2204

2206



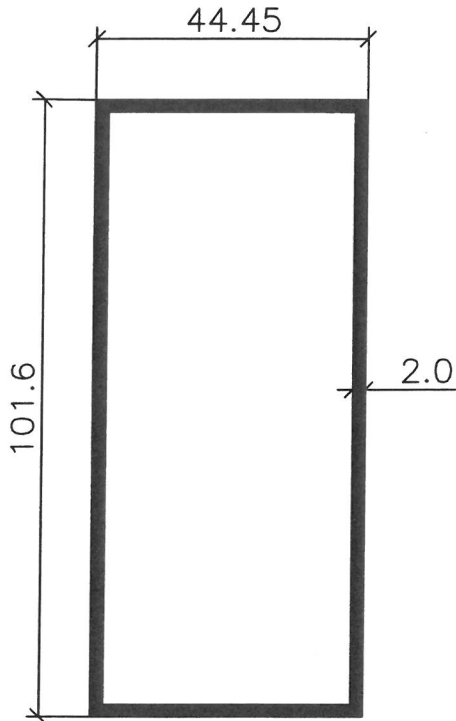
2203

MATCHING DIAGRAM

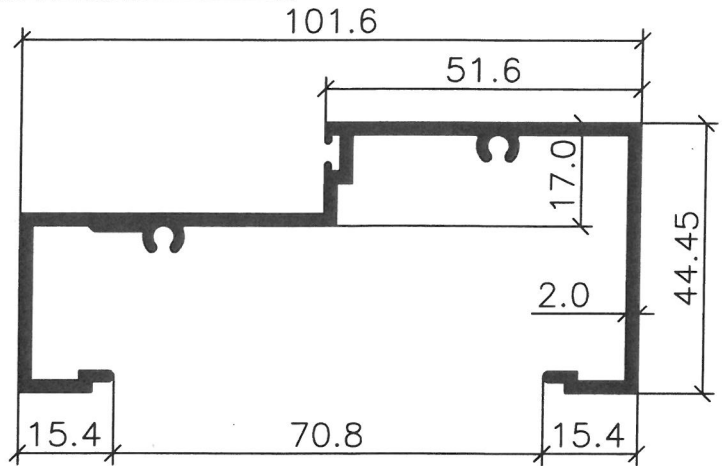
NOTE:
 - THE DRAWINGS ARE NOT TO SCALE
 - ALL DIMENSION ARE SHOWN IN MM, OTHERWISE WOULD BE STATED
 - DRAWING AS UPDATED ON 18.01.17



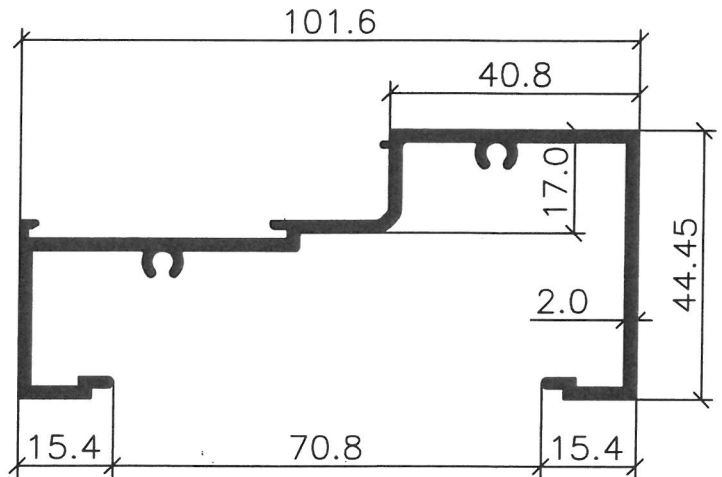
MISCELLANEOUS - SHOP FRONT
(THICKNESS 2.0mm)



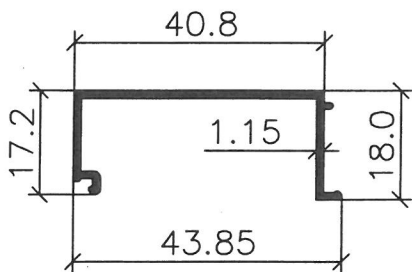
ED02748.



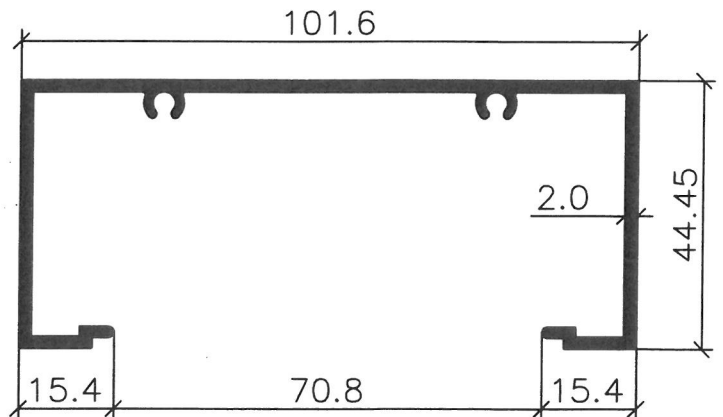
ED03346



2201



2205



2200



NOTE:
 - THE DRAWINGS ARE NOT TO SCALE
 - ALL DIMENSION ARE SHOWN IN MM, OTHERWISE WOULD BE STATED
 - DRAWING AS UPDATED ON 18.01.17