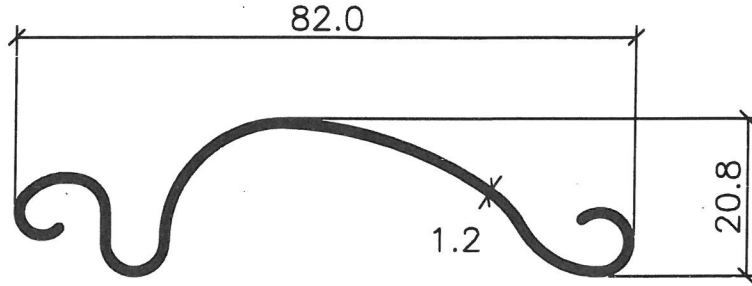
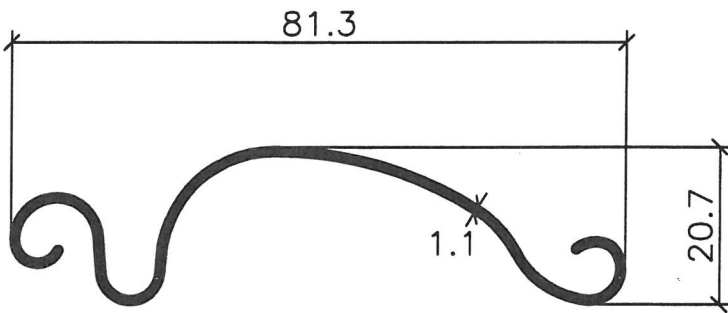


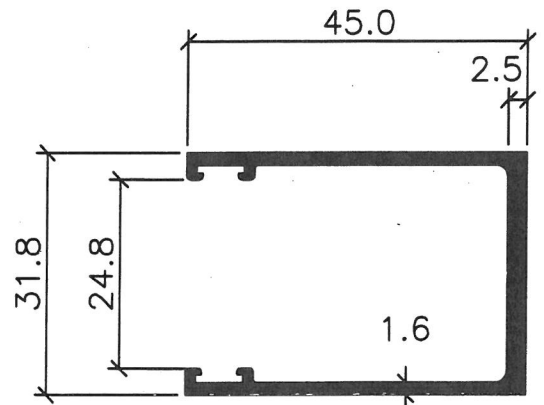
ROLLING SHUTTER



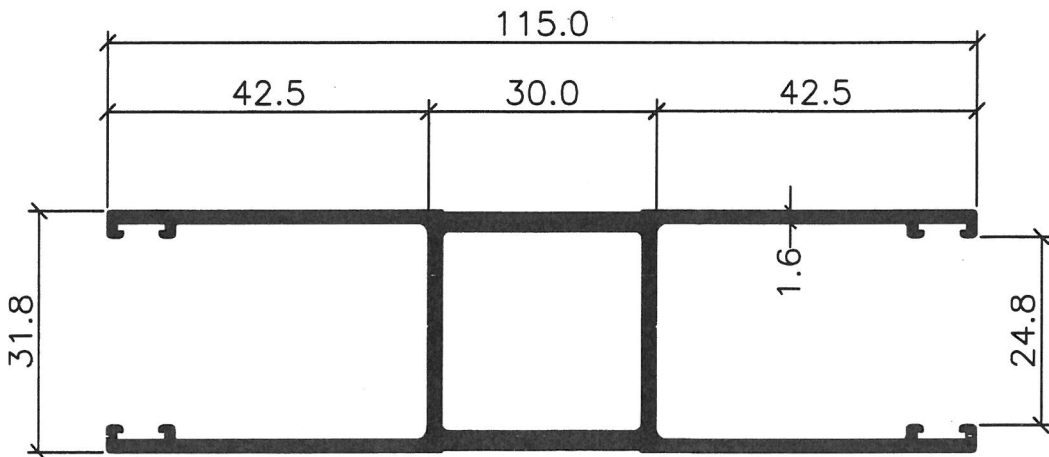
1111S



1111G



1113

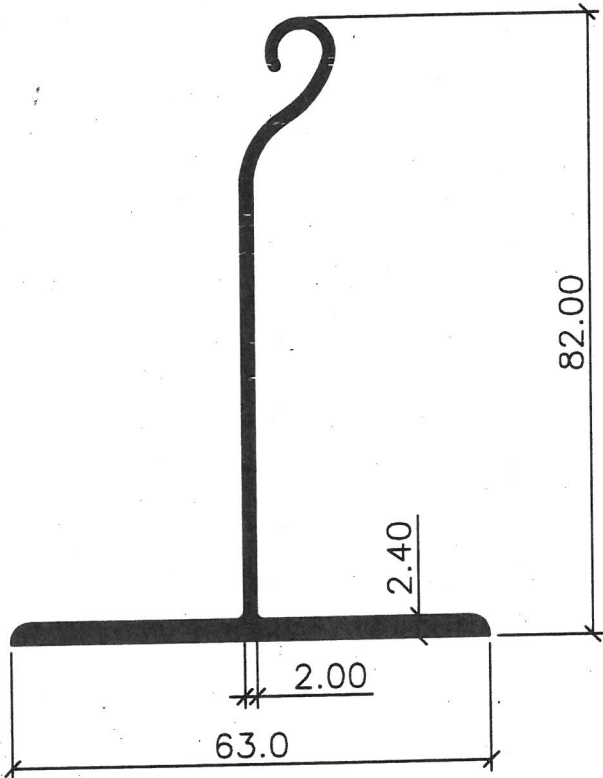


1112M

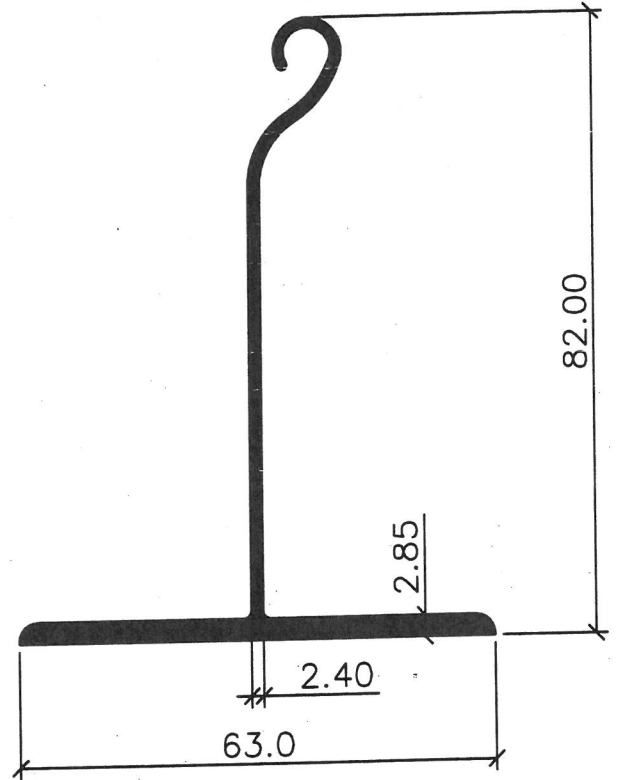


30/7/08

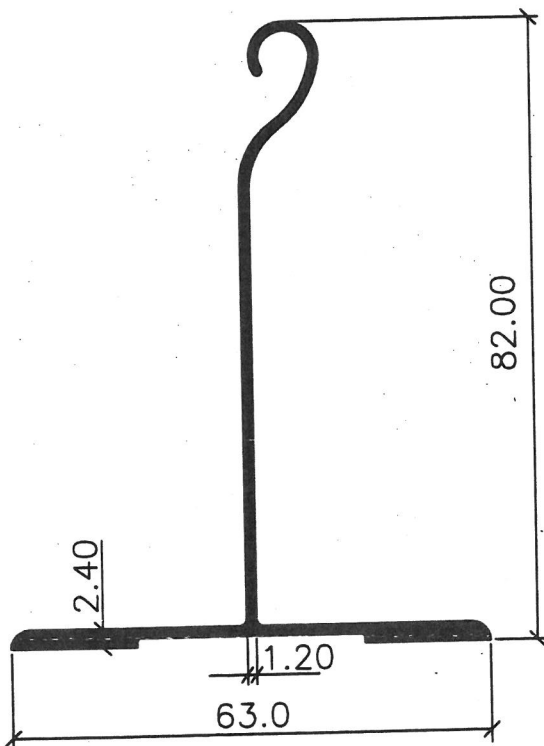
ROLLING SHUTTER



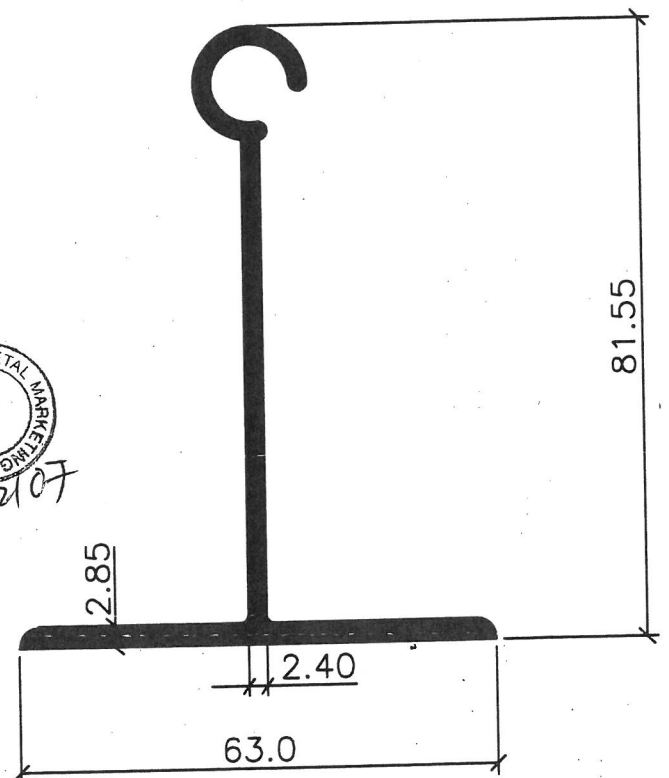
1114



1114M



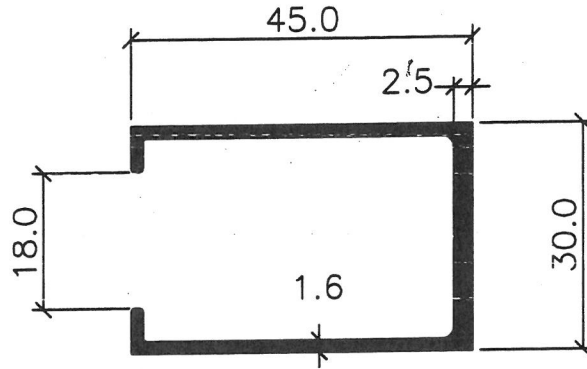
ED00416



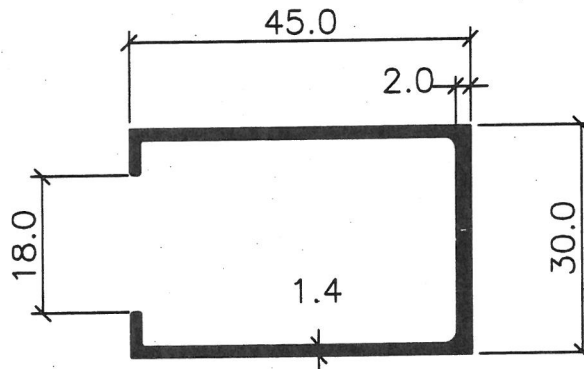
1119M

THE DRAWINGS ARE NOT TO SCALE
 - ALL DIMENSION ARE SHOWN IN MM, OTHERWISE WOULD BE STATÉD
 - DRAWING AS PER UPDATED ON 28.12.07

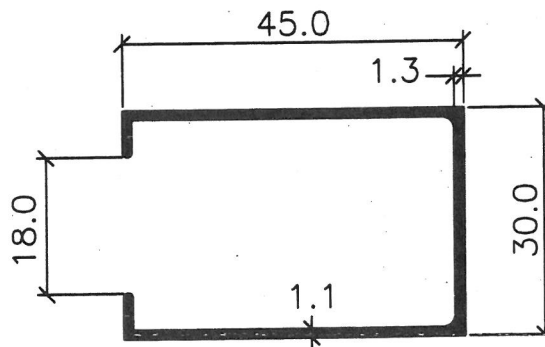
ROLLING SHUTTER



1116M



1116



ED00417

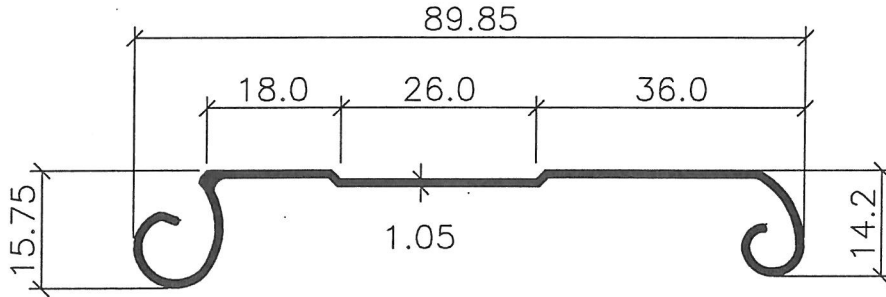


2/11/2007

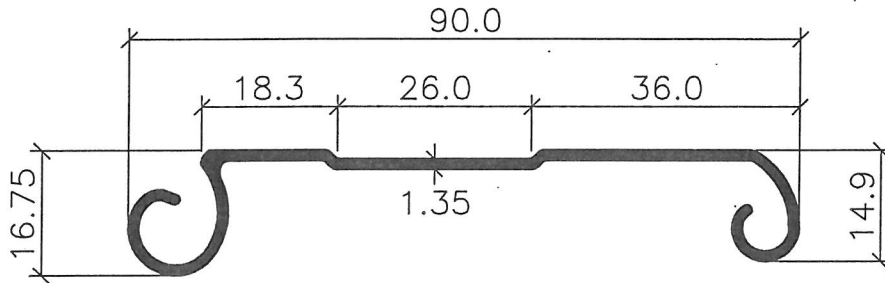
NOTE:

- THE DRAWINGS ARE NOT TO SCALE
- ALL DIMENSION ARE SHOWN IN MM, OTHERWISE WOULD BE STATED
- DRAWING UPDATED AS ON 07.12.07

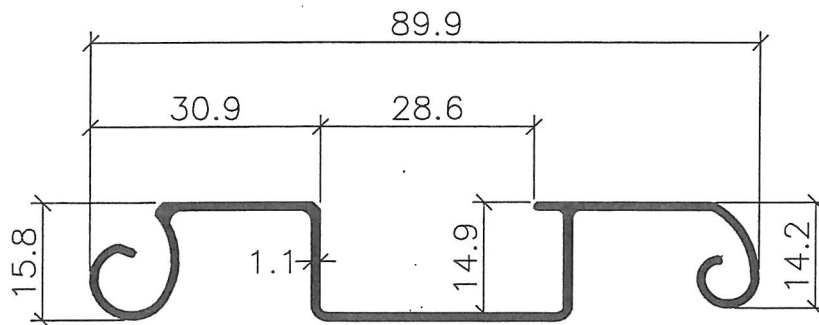
ROLLING SHUTTER



1115S



1115XL

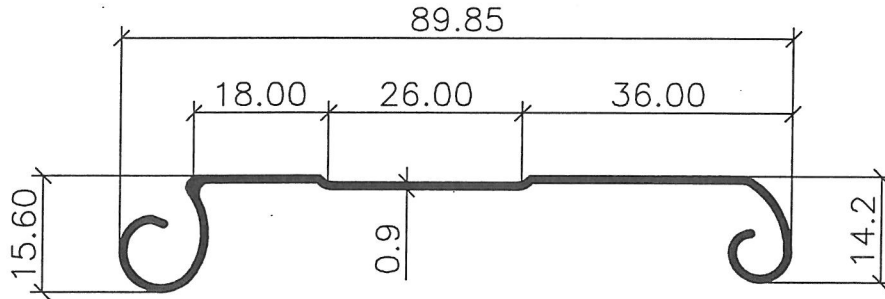


1121

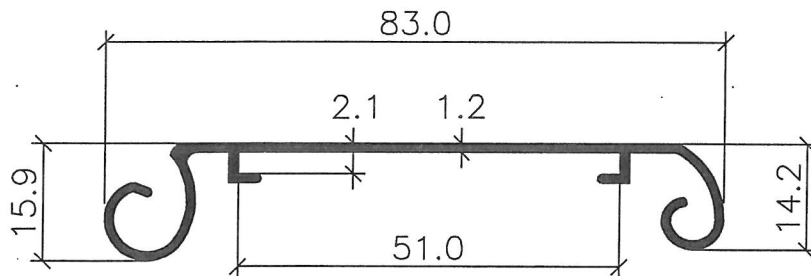


19/9/16

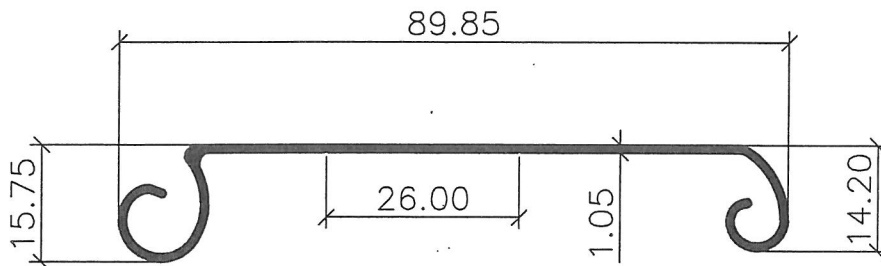
ROLLING SHUTTER



ED02811.



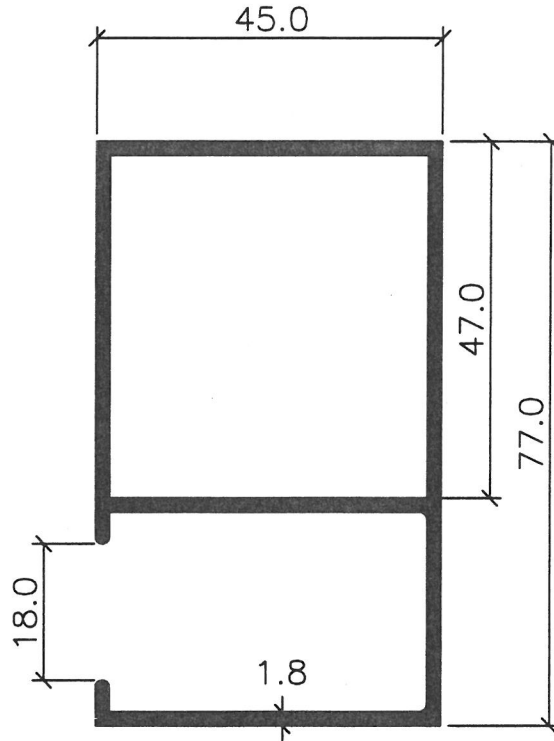
ED01286



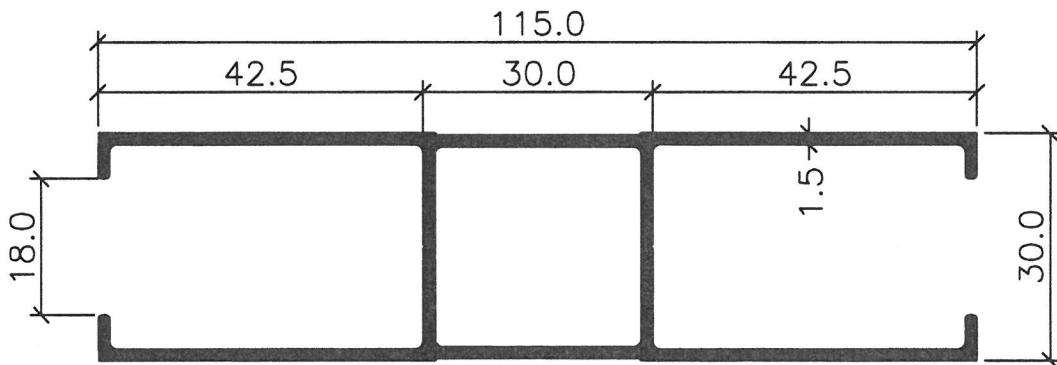
ED02381



ROLLING SHUTTER



1125



1122G



NOTE:
- THE DRAWINGS ARE NOT TO SCALE
- ALL DIMENSION ARE SHOWN IN MM, OTHERWISE WOULD BE STATED
- DRAWING AS UPDATED ON 14.10.08