

“Solutions within Reach”

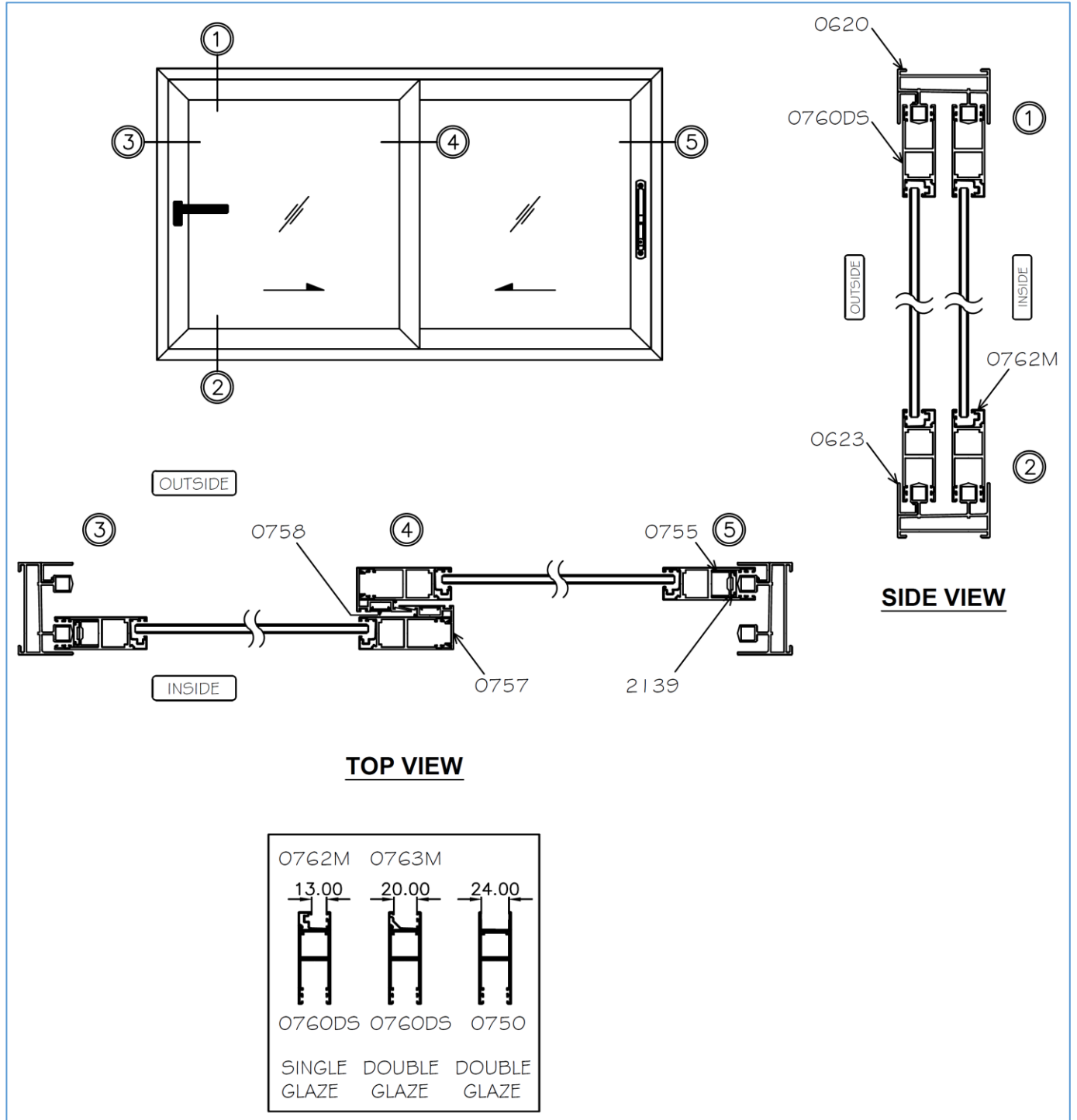
We provide consultancy services as well as design, engineering and manufacturing on a wide range of architectural hardware and extrusion products.

EUROPEAN SLIDING DOOR & WINDOW (EDW80 / EDW123)



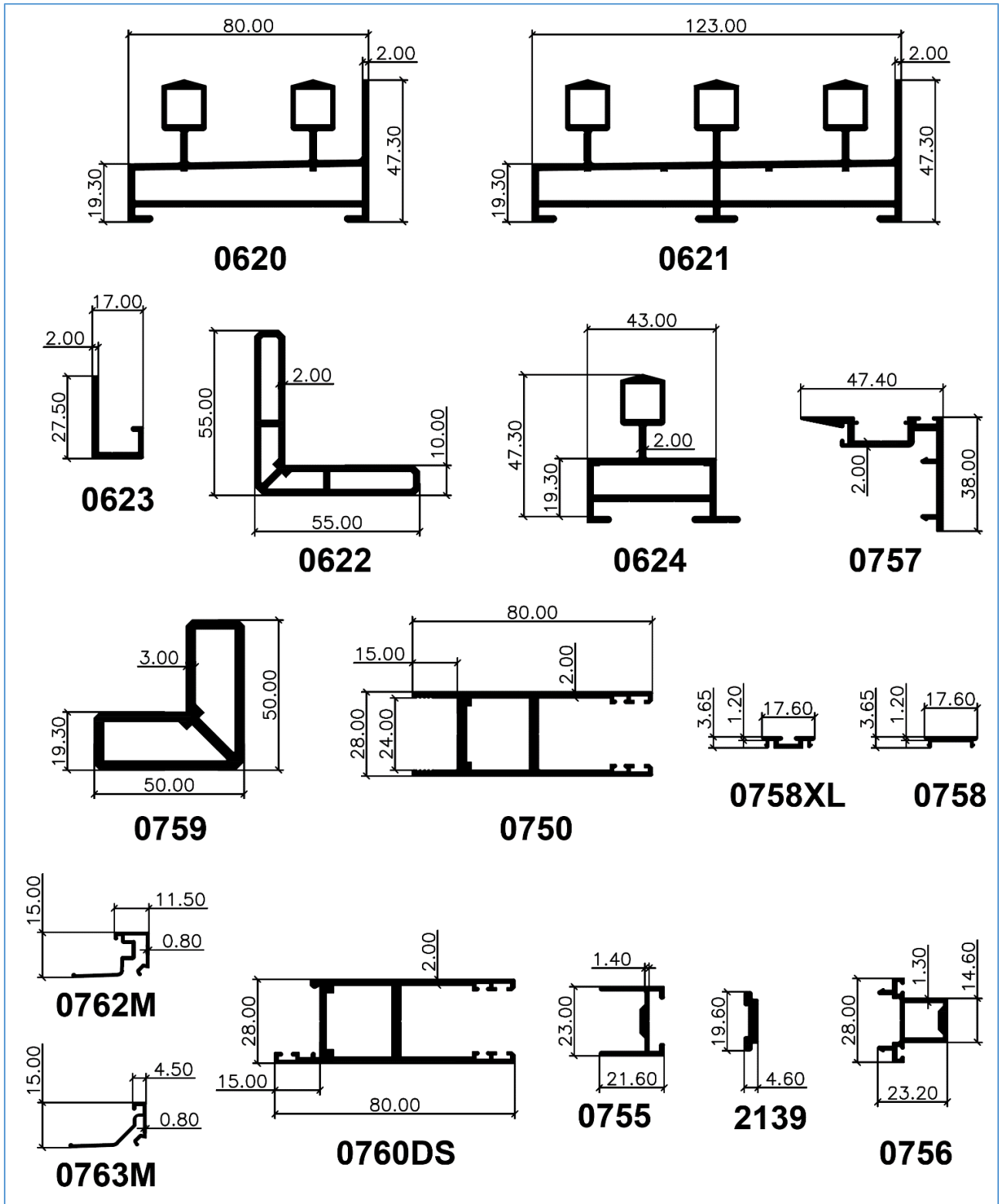
European Profile Door & Window (Series EDW80 / EDW123)

Typical Assembly Details:



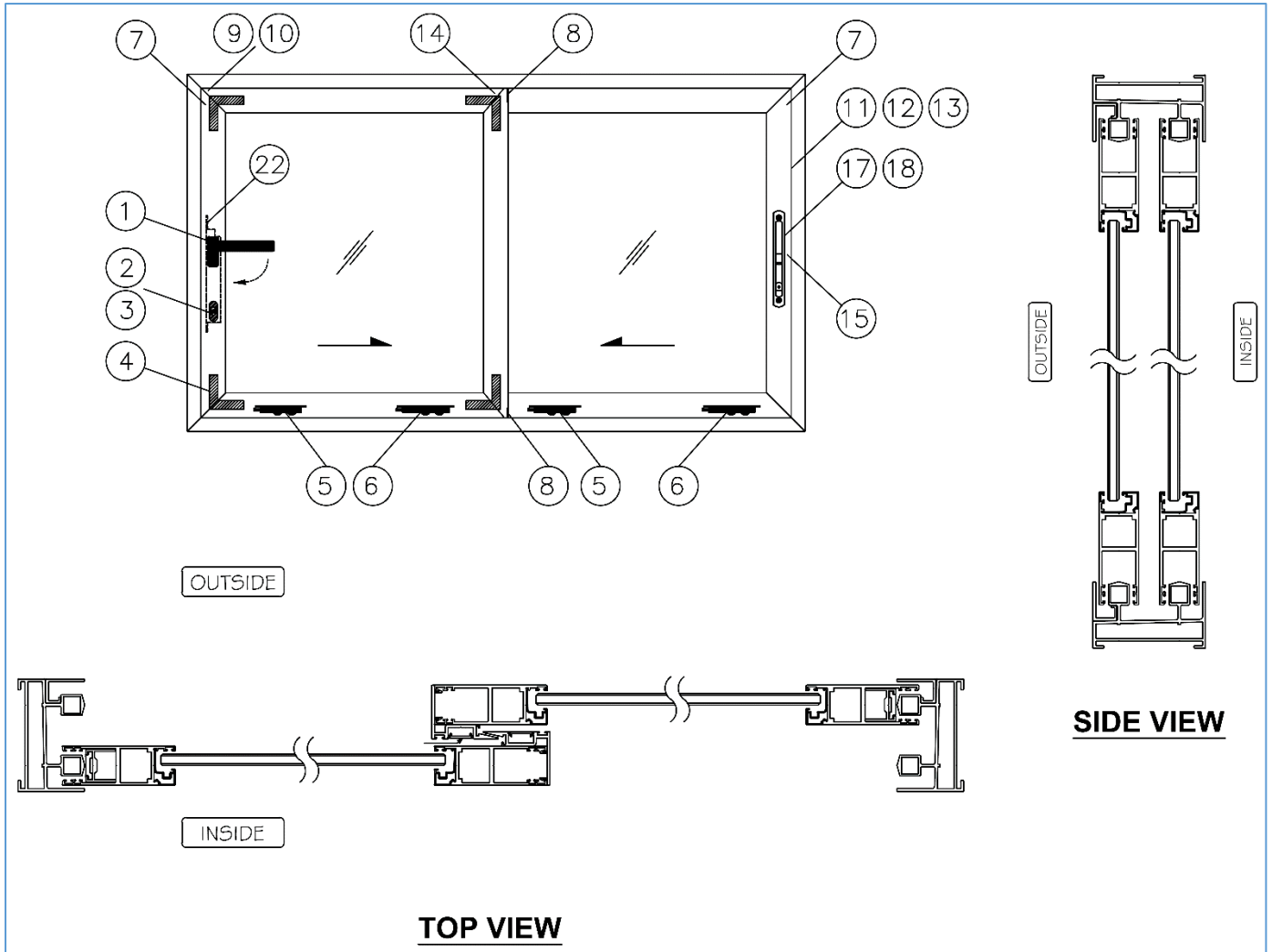
European Profile Door & Window (Series EDW80 / EDW123)

Sectional Details:



European Profile Door & Window (Series EDW80 / EDW123)

Hardware Fittings:



Hardware Accessories:



1) 7192



2) 4528C-SC03-SNS



3) 7181



4) 5046-333

European Profile Door & Window (Series EDW80 / EDW123)

Hardware Accessories:



5) 5155



6) 5156



7) 5157



8) 5158



9) 5159



10) 5160



11) 5161



12) 5162



13) 5163



14) 5164AT



15) 5294-H30



16) 5047-BS248



17) 4538-YM5



18) 4538-YM6



19) 4553-SC5



20) 4553-SC6



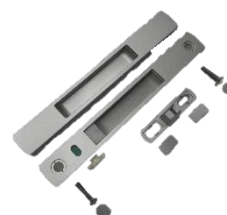
21) 7183-CL25



22) 7180



23) 7182



24) 4554-GW5



25) 4554-GW6

NOTES



A series of horizontal dashed lines providing a template for writing notes.

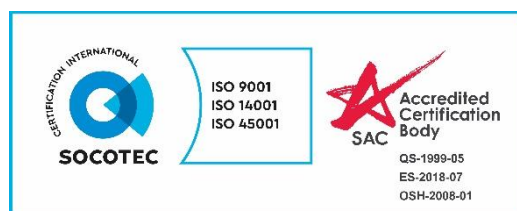
NOTES



A series of horizontal dashed lines providing a template for writing notes.



SINCE 1978



HQ Office:

12 Joo Koon Crescent,

Singapore 629013

Tel: 6745 0204

Fax: 6748 1741

Email: sales@alphametals.com.sg

<http://www.alphametals.com.sg>

Branch:

Block 4023 #01-343/345/347,

Ang Mo Kio Ind. Park 1 Singapore 569634

Tel: 6455 5576

Fax: 6455 5587