

“Solutions within Reach”

We provide consultancy services as well as design, engineering and manufacturing on a wide range of architectural hardware and extrusion products.

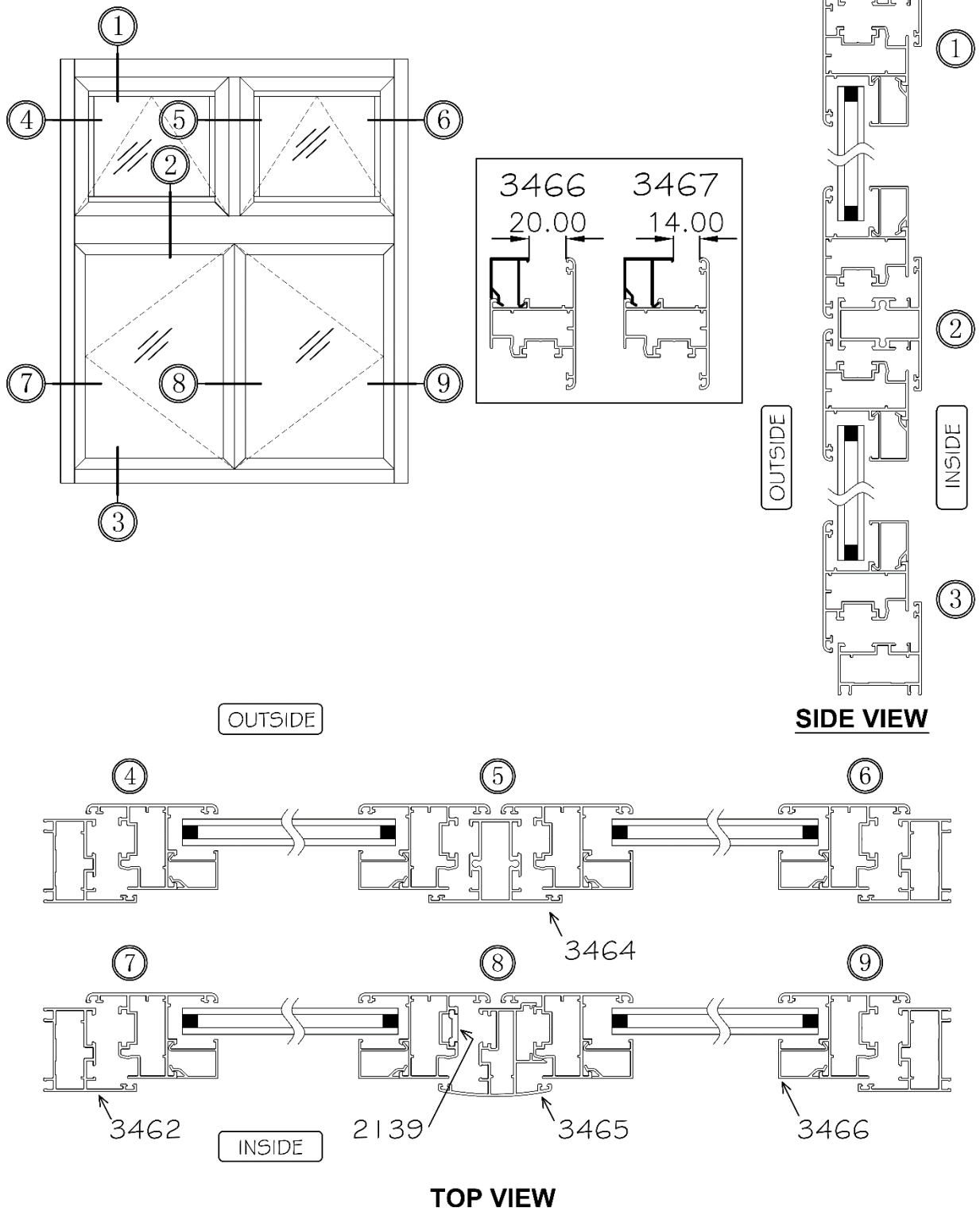
EUROPEAN CASEMENT WINDOW (ECW45)



European Profile Casement Window (Series ECW45)

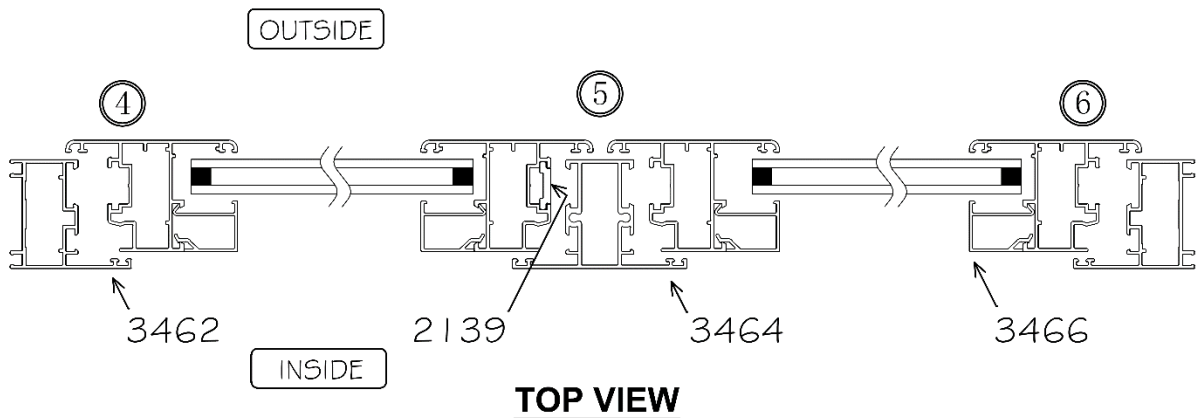
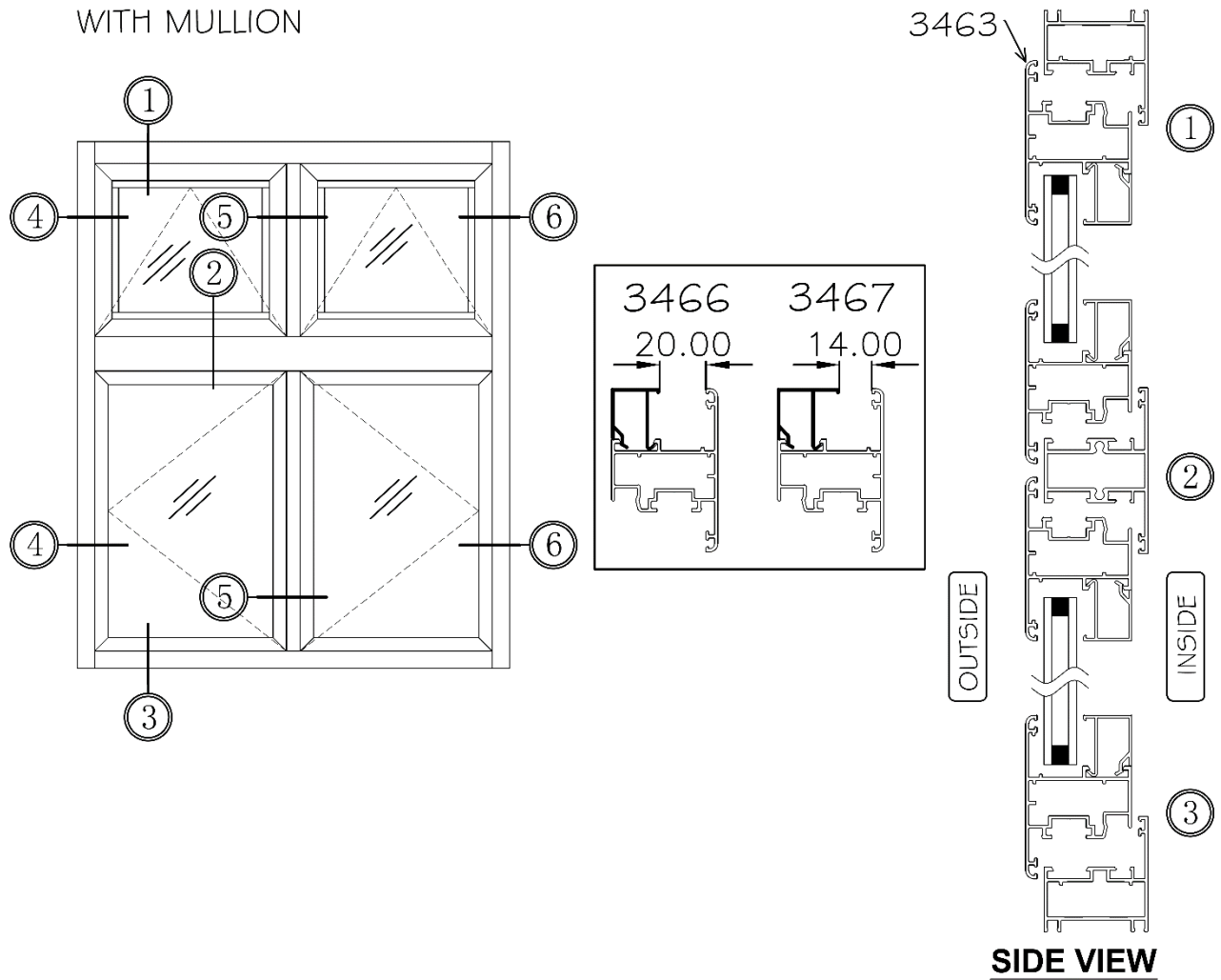
Typical Assembly Details:

WITHOUT MULLION



European Profile Casement Window (Series ECW45)

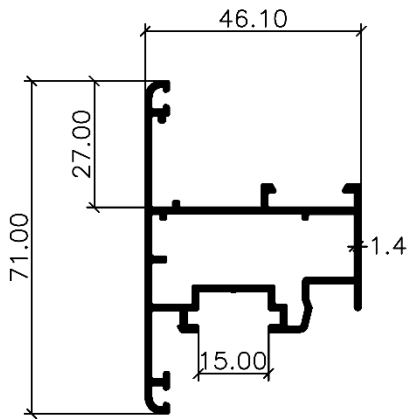
Typical Assembly Details:



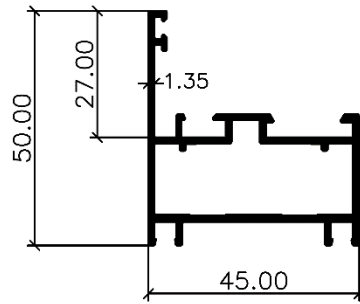
TOP VIEW

European Profile Casement Window (Series ECW45)

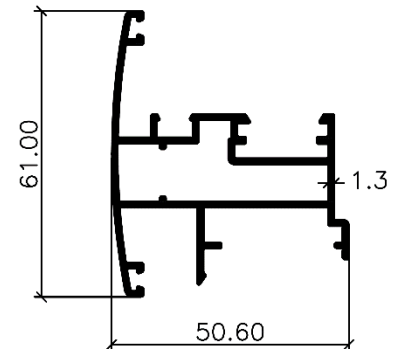
Sectional Details:



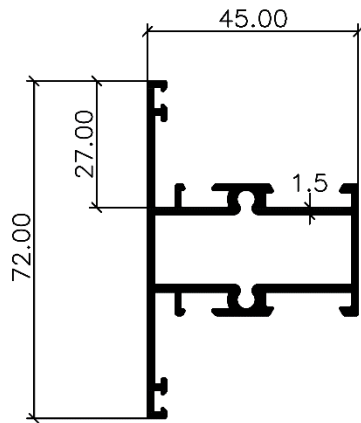
3463



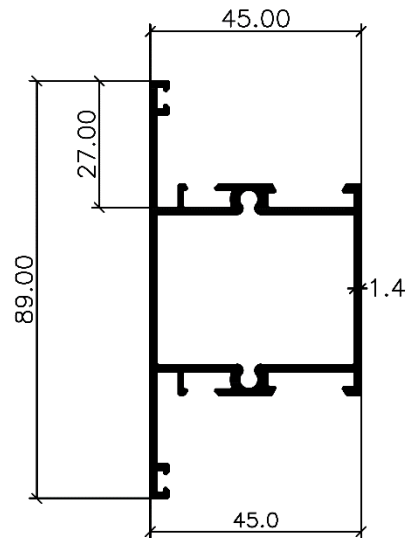
3462



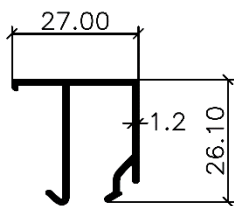
3465



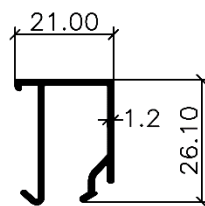
3464



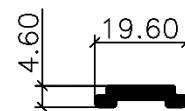
3464XL



3467



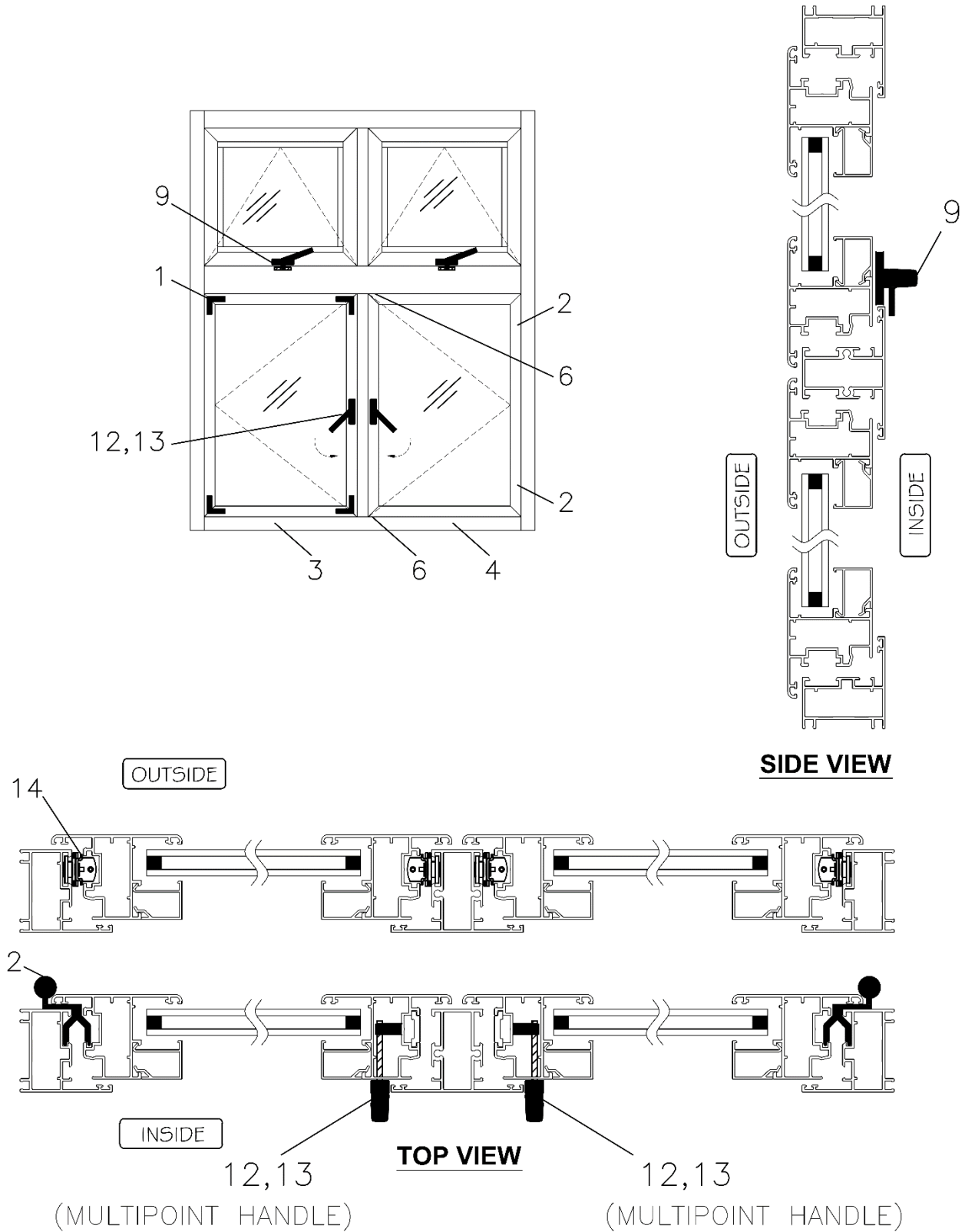
3466



2139

European Profile Casement Window (Series ECW45)

Hardware Fittings:



European Profile Casement Window (Series ECW45)

Hardware Accessories:



1) 5046-338



2) 5078-BK



3) 4620-SS-12L



4) 4620-ABK-08L
4620-ABK-12L



5) 5087-L220
5087-L600



6) 5100



7) 5046-110



8) 5046-111



9) 4337U



10) 4338U



11) 4345



12) 5200-611



13) 5200-927
W/- KEY



14) 4621-SS



15) 4417A-BK



16) 4417B-BK

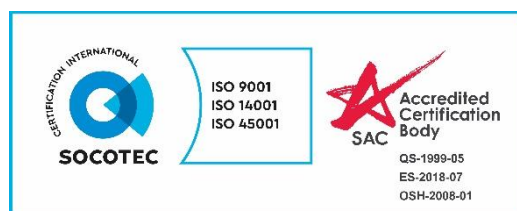
NOTES



A series of horizontal dashed lines providing a template for writing notes.



SINCE 1978



HQ Office:

12 Joo Koon Crescent,

Singapore 629013

Tel: 6745 0204

Fax: 6748 1741

Email: sales@alphametals.com.sg

<http://www.alphametals.com.sg>

Branch:

Block 4023 #01-343/345/347,

Ang Mo Kio Ind. Park 1 Singapore 569634

Tel: 6455 5576

Fax: 6455 5587