

“Solutions within Reach”

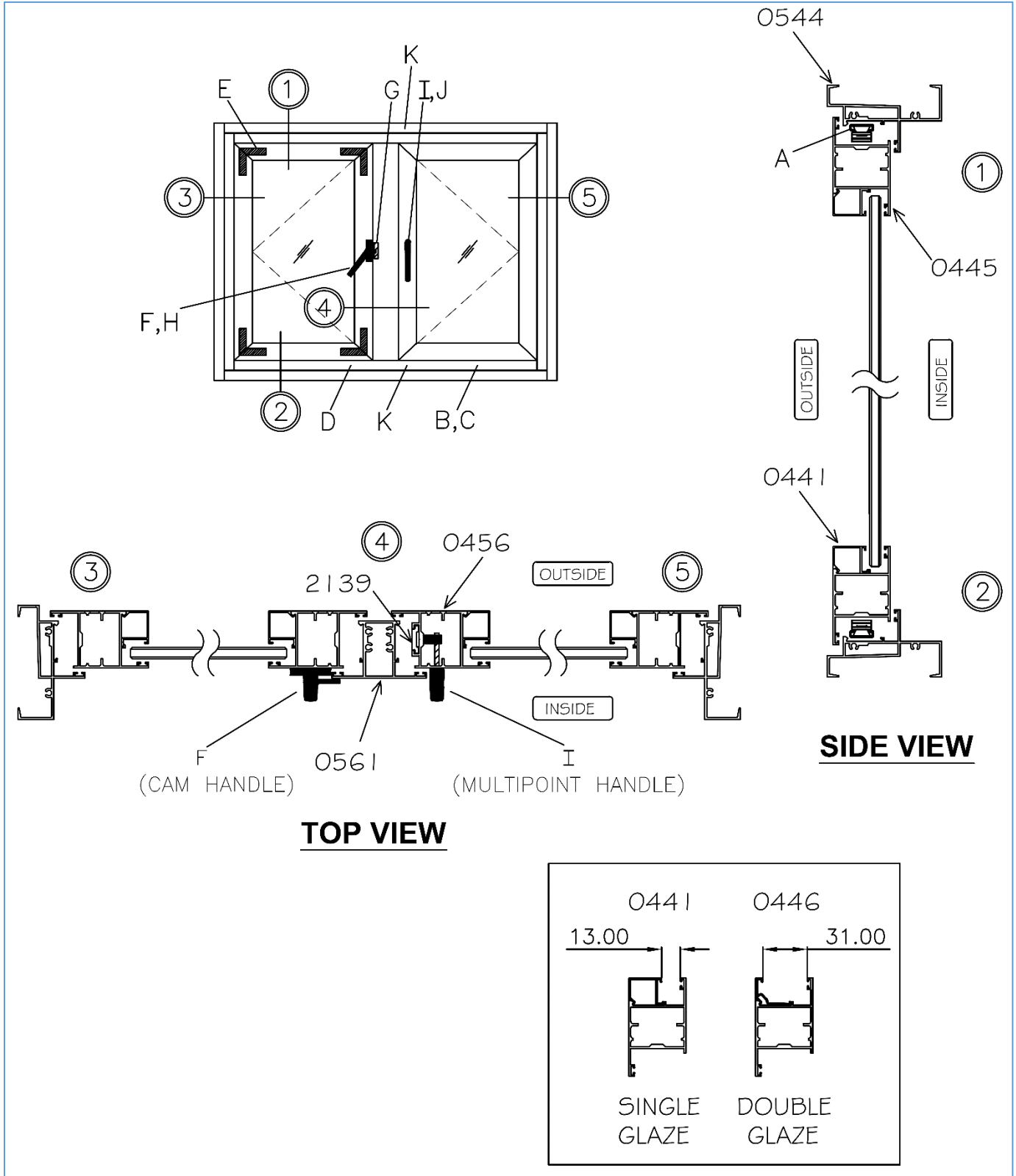
We provide consultancy services as well as design, engineering and manufacturing on a wide range of architectural hardware and extrusion products.

CASEMENT/SLIDING WINDOW & DOOR (CS80/CS123)



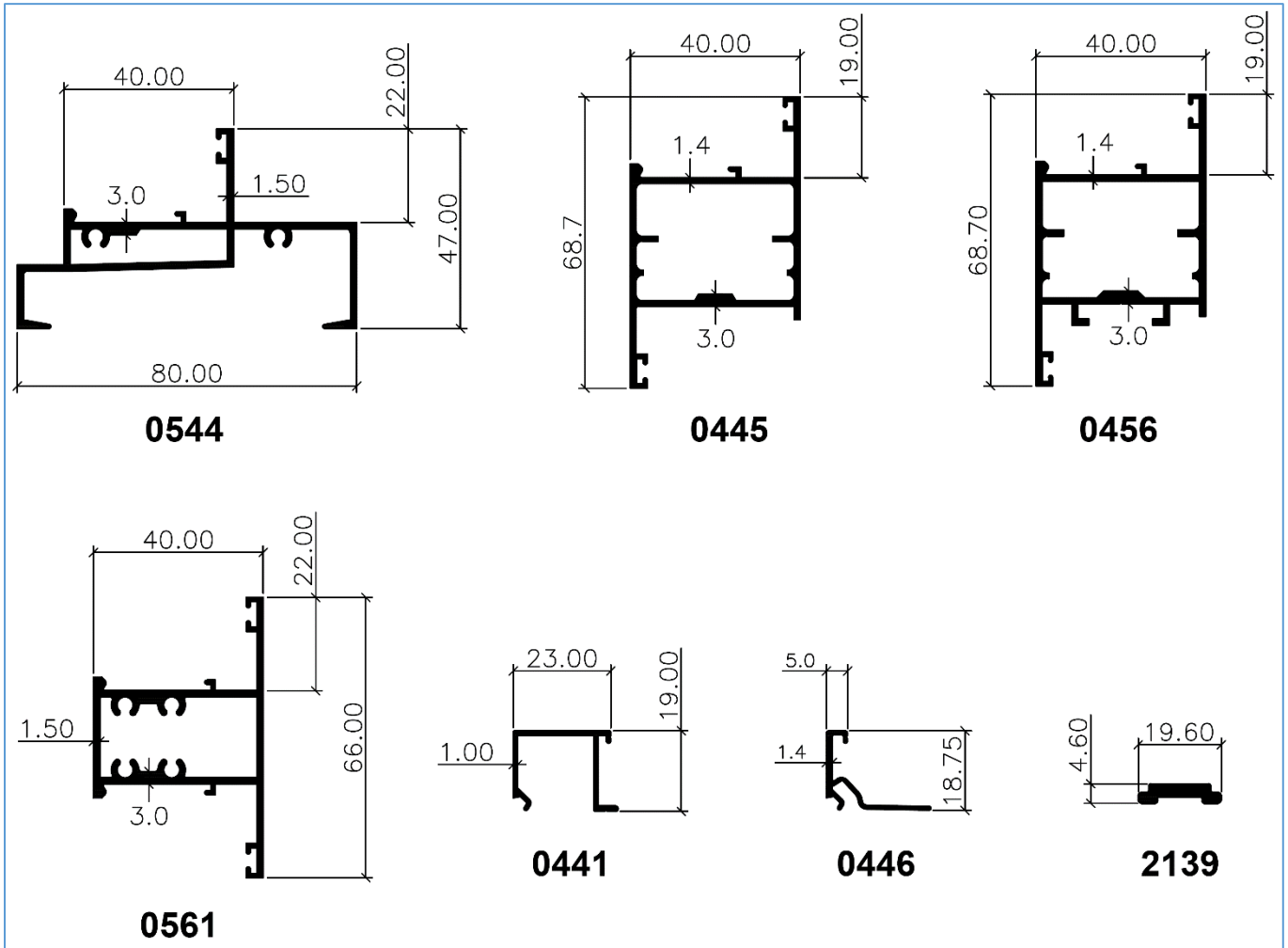
CS80/CS123 Casement Window

Typical Assembly Details:

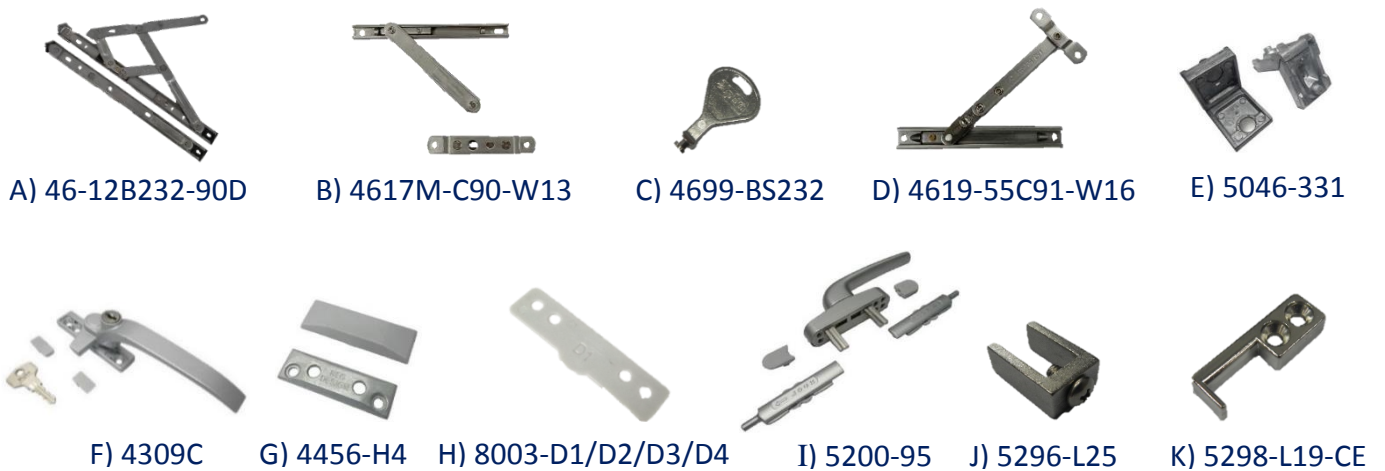


CS80/CS123 Casement Window

Sectional Details:

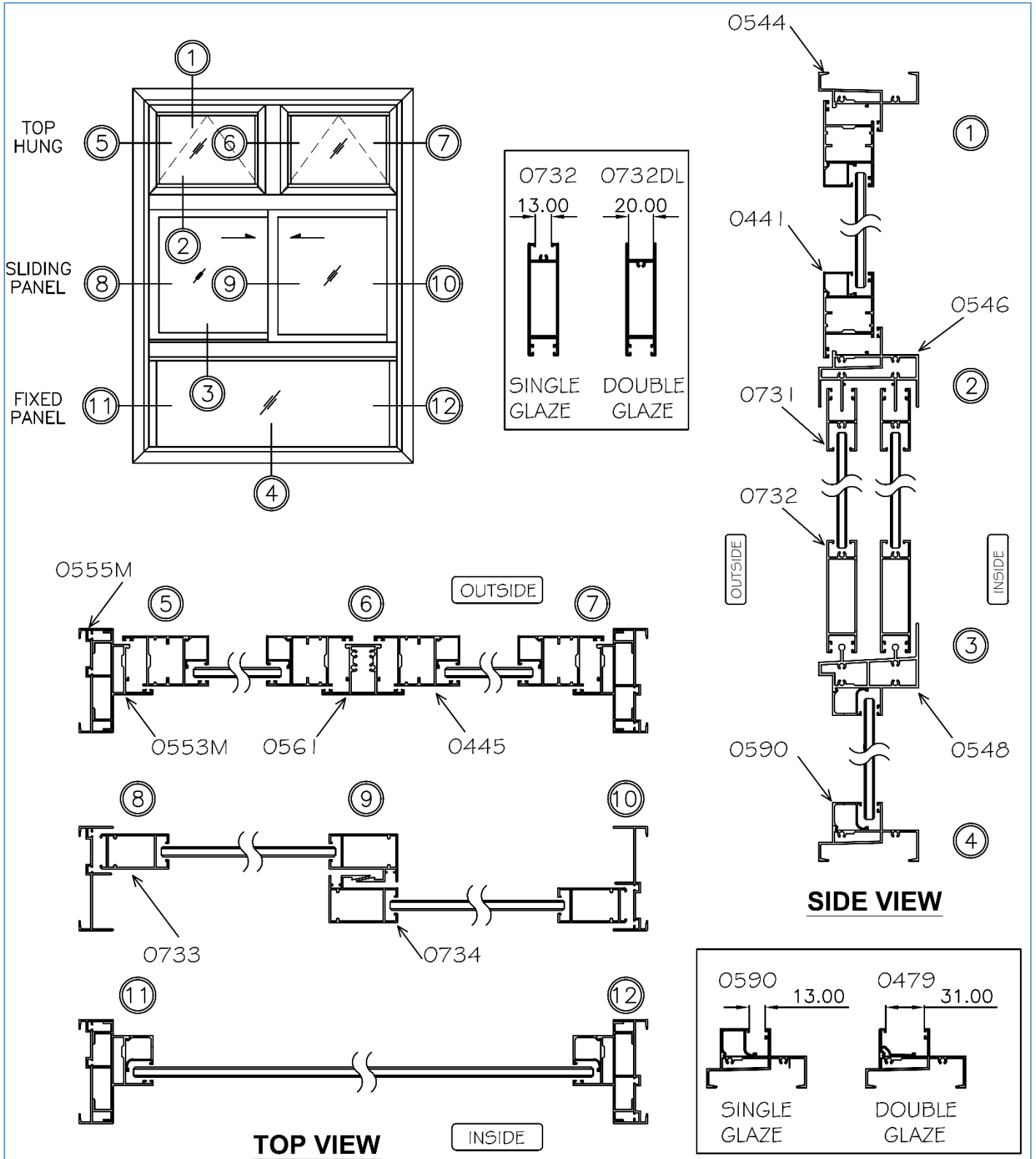


Hardware Accessories:



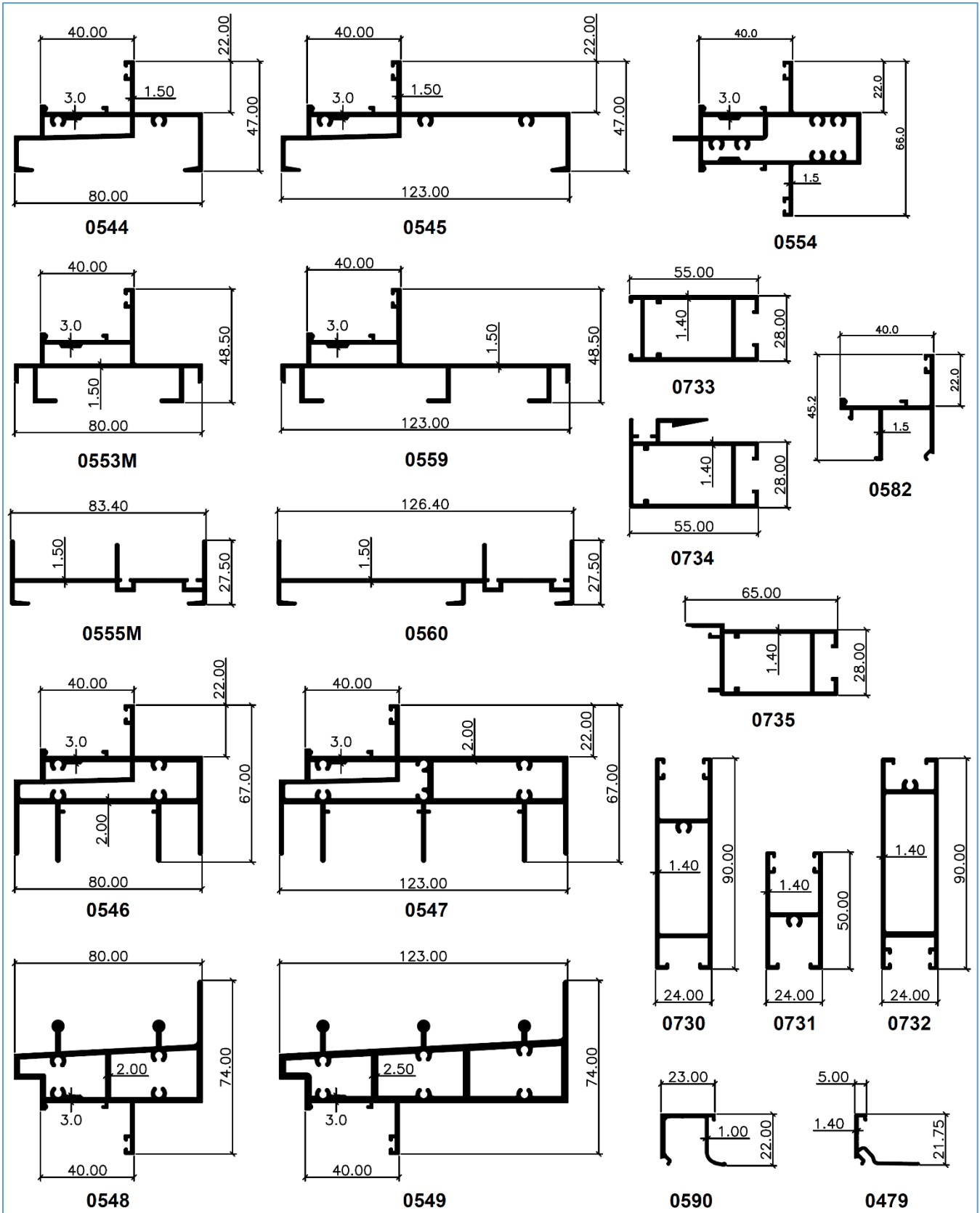
CS80/CS123 Casement/Sliding Window

Typical Assembly Details:



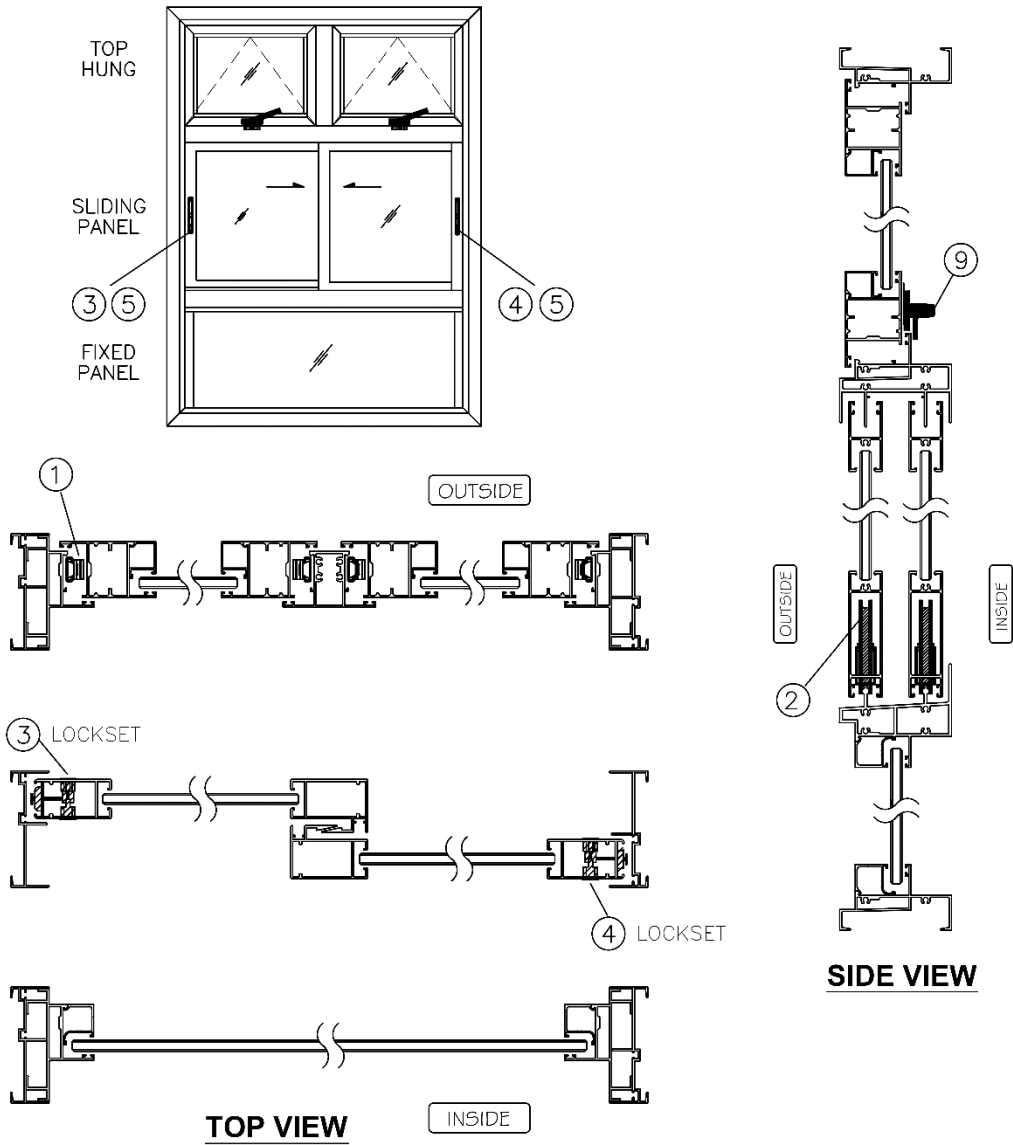
CS80/CS123 Casement/Sliding Window

Sectional Details:



CS80/CS123 Casement/Sliding Window

Hardware Fittings:



Hardware Accessories:



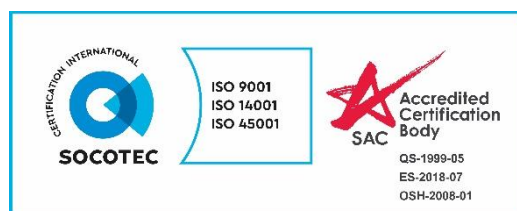
NOTES



A series of horizontal dashed lines providing a template for writing notes.



SINCE 1978



HQ Office:

12 Joo Koon Crescent,

Singapore 629013

Tel: 6745 0204

Fax: 6748 1741

Email: sales@alphametals.com.sg

<http://www.alphametals.com.sg>

Branch:

Block 4023 #01-343/345/347,

Ang Mo Kio Ind. Park 1 Singapore 569634

Tel: 6455 5576

Fax: 6455 5587