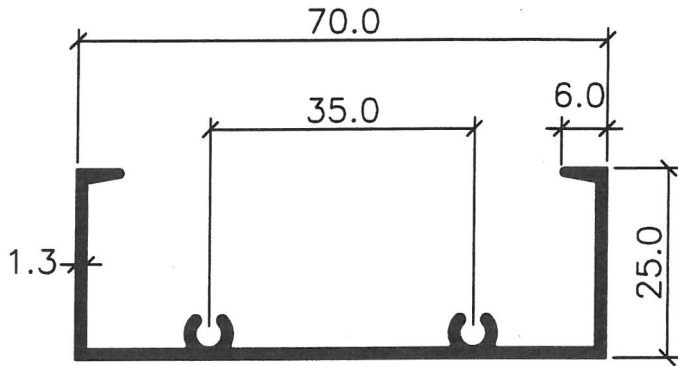
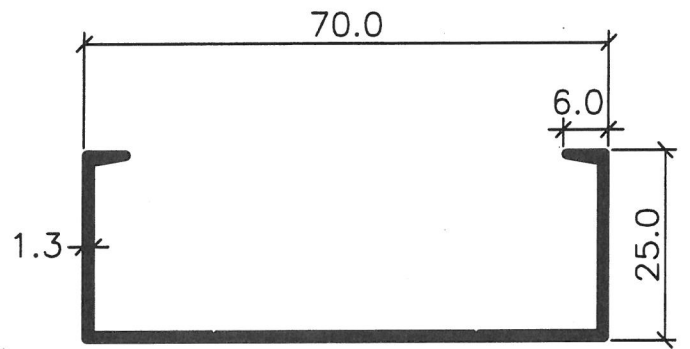


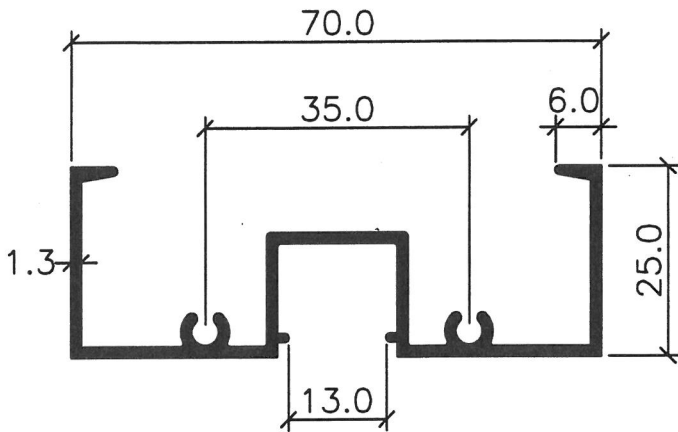
LOUVRE VENT (THICKNESS 1.3mm)



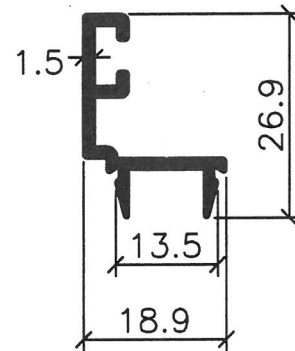
2601G



2603G



2606G



2608

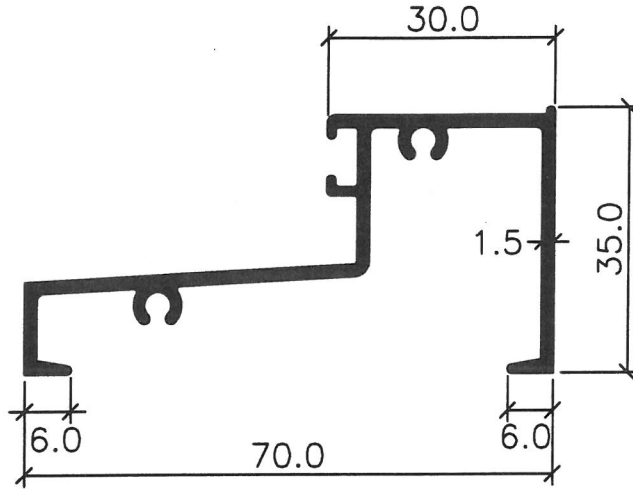


26/3/09

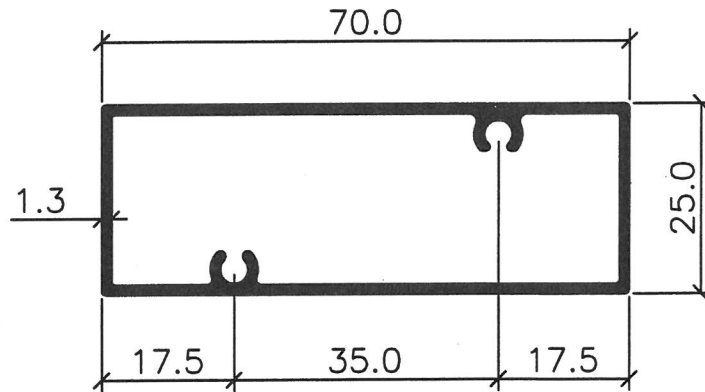
NOTE:

- THE DRAWINGS ARE NOT TO SCALE
- ALL DIMENSION ARE SHOWN IN MM, OTHERWISE WOULD BE STATED
- DRAWING AS PER UPDATED ON 09.03.09

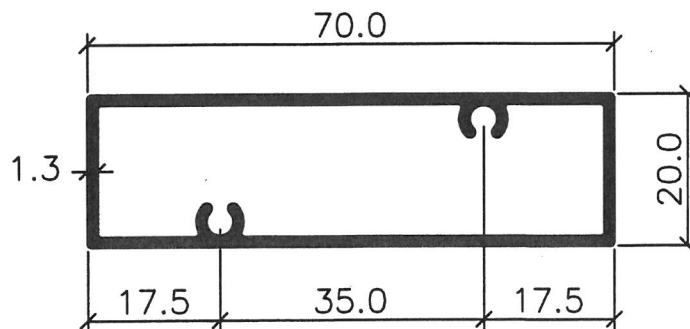
LOUVRE VENT (THICKNESS 1.3mm)



2602G



2607M



2604G

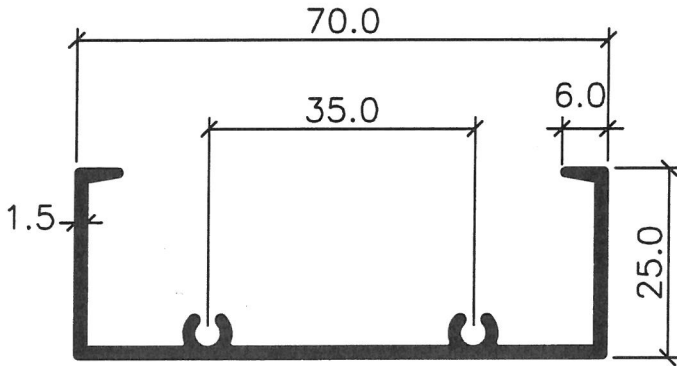


28/3/09

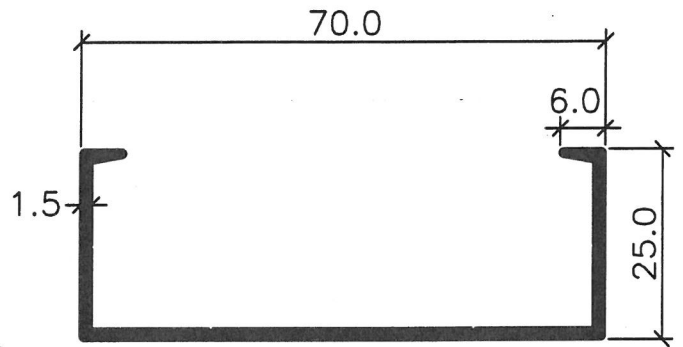
NOTE:

- THE DRAWINGS ARE NOT TO SCALE
- ALL DIMENSION ARE SHOWN IN MM, OTHERWISE WOULD BE STATED
- DRAWING AS PER UPDATED ON 09.03.09

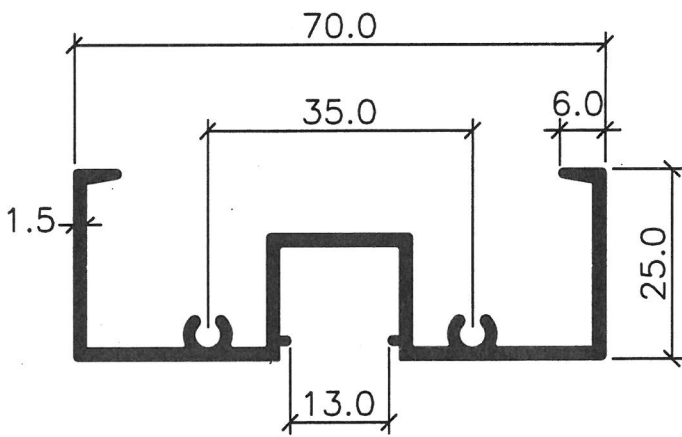
LOUVRE VENT (THICKNESS 1.5mm)



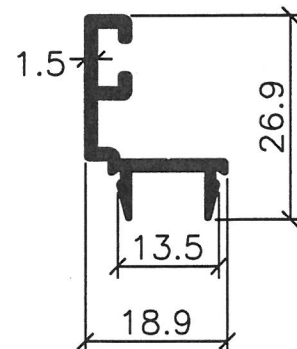
2601XL



2603XL



2606XL



2608

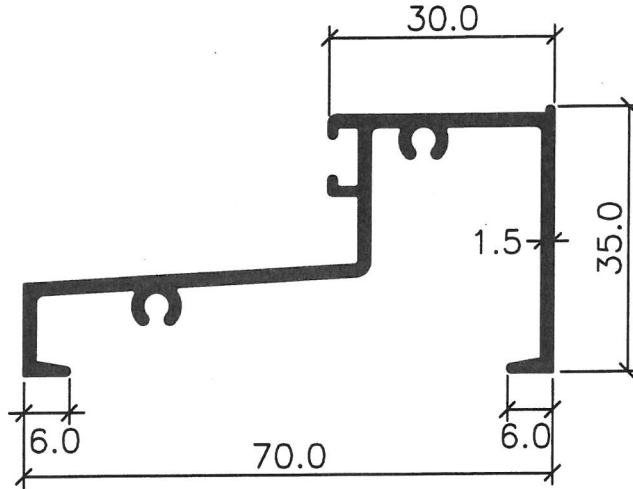


5/3/09

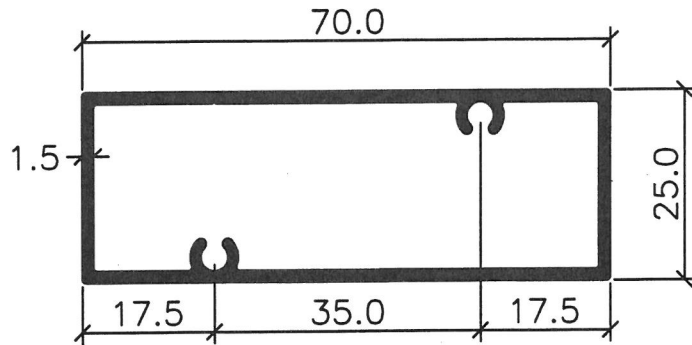
NOTE:

- THE DRAWINGS ARE NOT TO SCALE
- ALL DIMENSION ARE SHOWN IN MM, OTHERWISE WOULD BE STATED
- DRAWING AS PER UPDATED ON 05.03.09

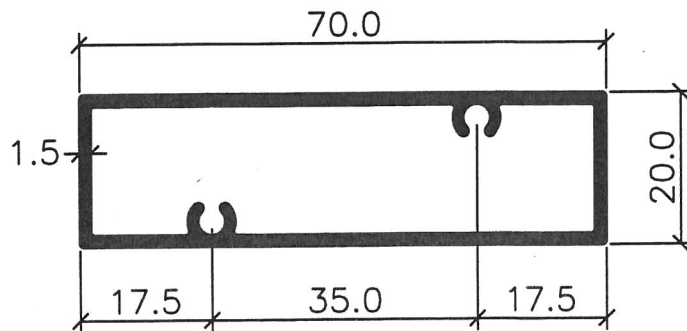
LOUVRE VENT (THICKNESS 1.5mm)



2602G



2607XL



2604XL

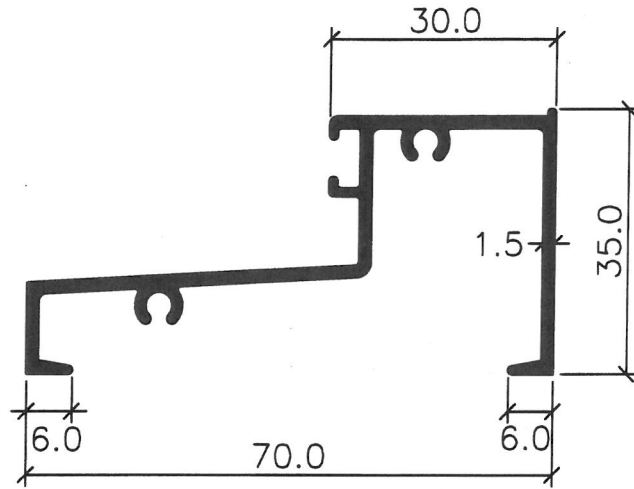
NOTE:

- THE DRAWINGS ARE NOT TO SCALE
- ALL DIMENSION ARE SHOWN IN MM, OTHERWISE WOULD BE STATED
- DRAWING AS PER UPDATED ON 05.03.09

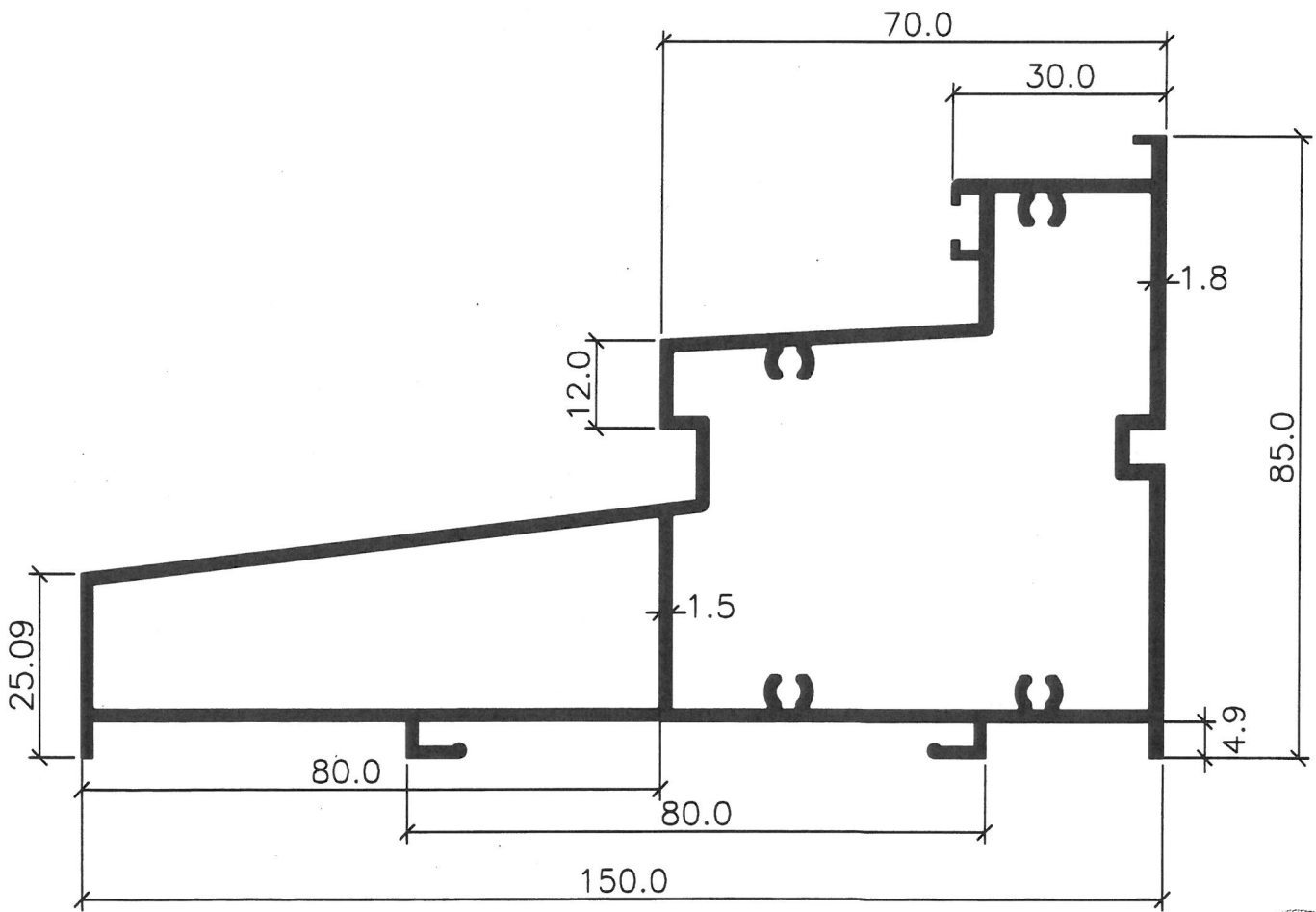


5/3/09

LOUVRE VENT (THICKNESS 1.5mm)



2602G



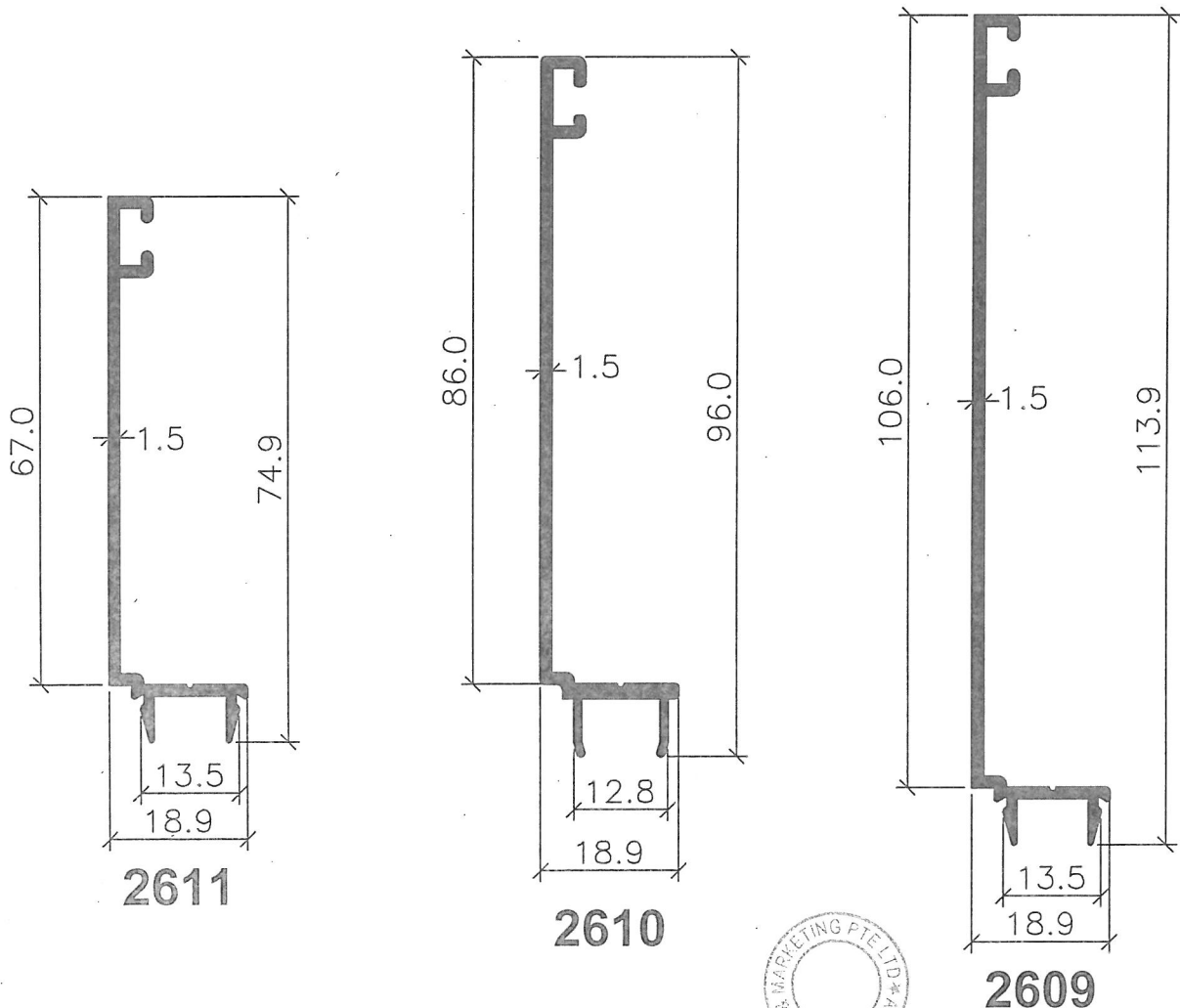
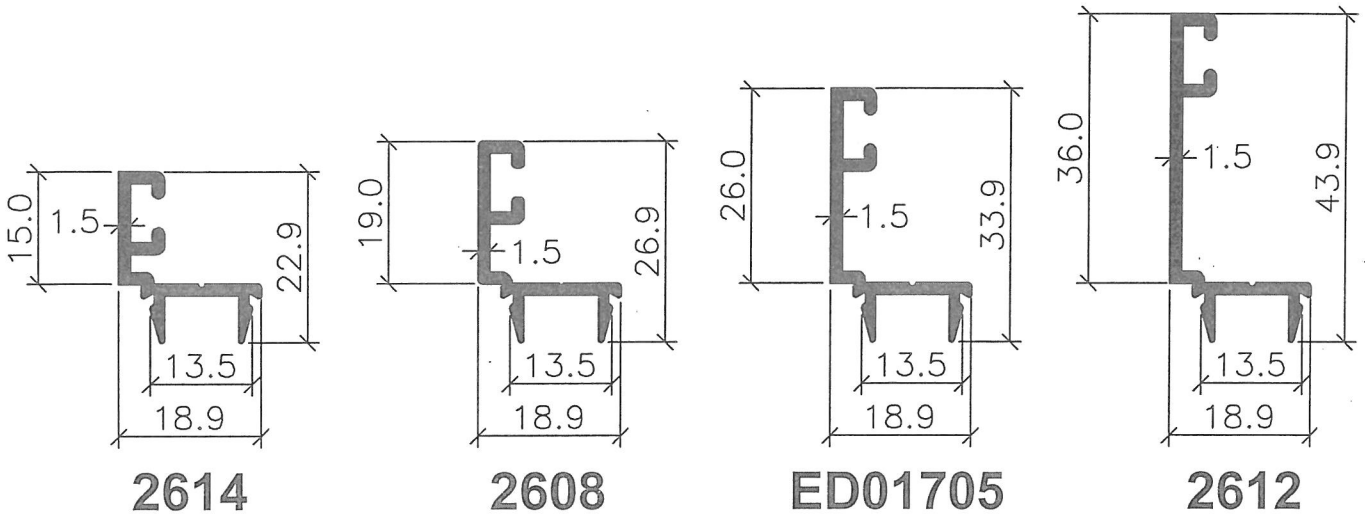
2617

NOTE:

- THE DRAWINGS ARE NOT TO SCALE
- ALL DIMENSION ARE SHOWN IN MM, OTHERWISE WOULD BE STATED
- DRAWING AS PER UPDATED ON 27.02.10



LOUVRE VENT (THICKNESS 1.5mm)



NOTE:

- THE DRAWINGS ARE NOT TO SCALE
- ALL DIMENSION ARE SHOWN IN MM, OTHERWISE WOULD BE STATED
- DRAWING AS PER UPDATED ON 26.06.14

