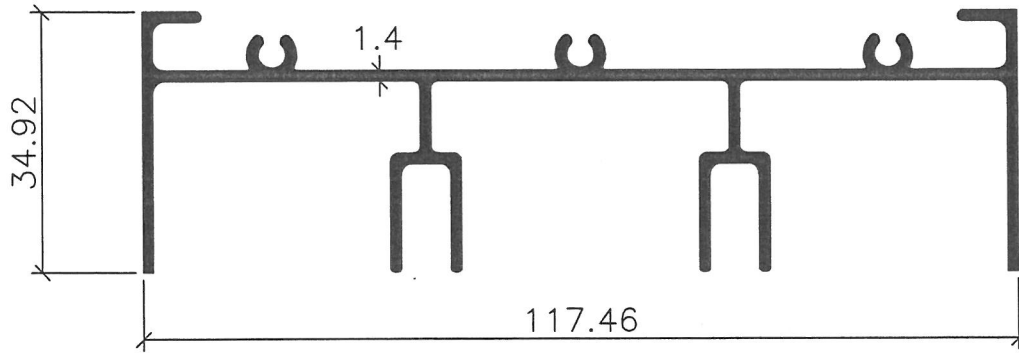
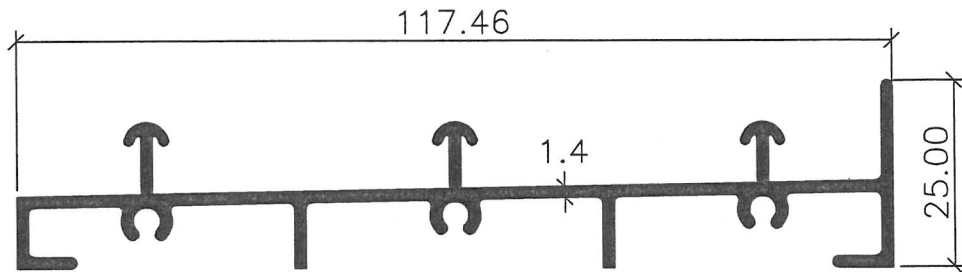


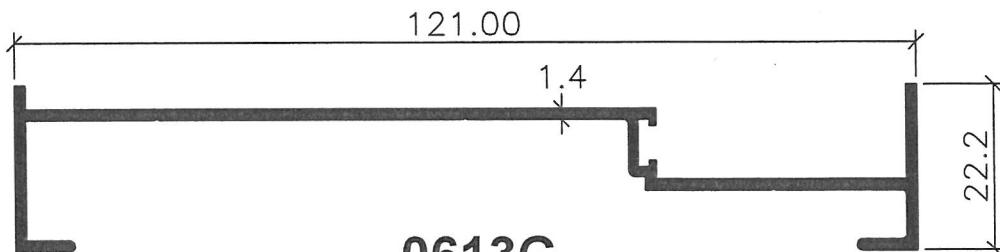
SLIDING DOOR



0611M



0612G

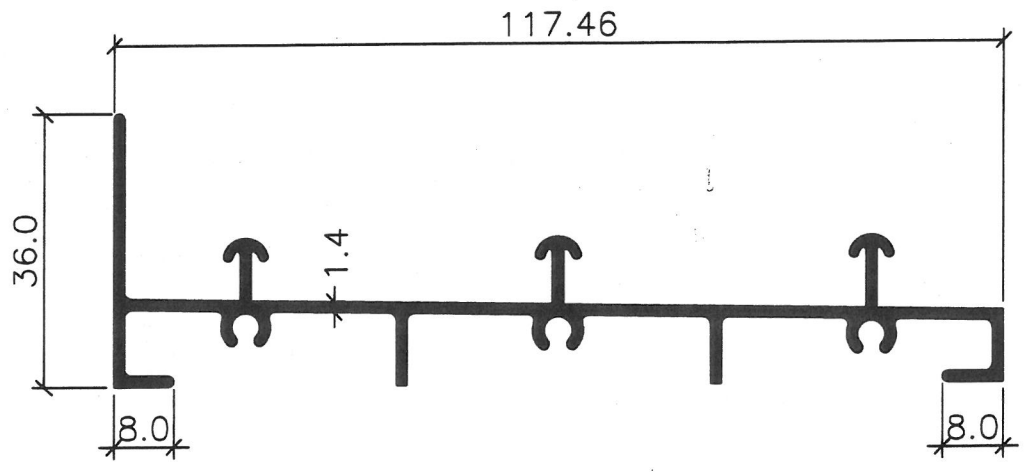


0613G

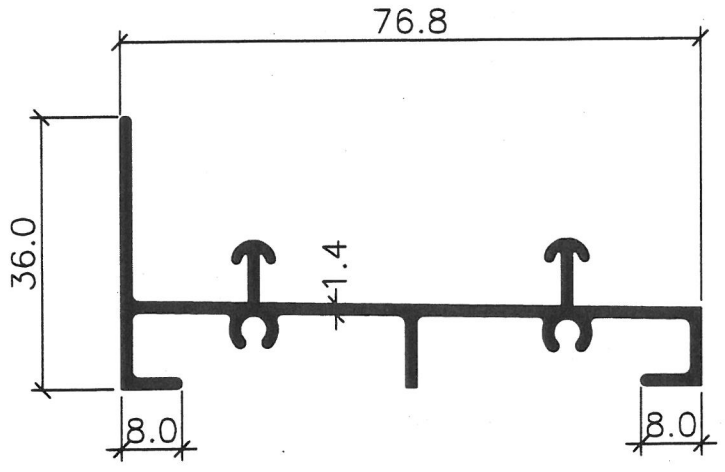
8/12/12

- NOTE:**
- THE DRAWINGS ARE NOT TO SCALE
 - ALL DIMENSION ARE SHOWN IN MM, OTHERWISE WOULD BE STATED
 - DRAWING AS PER UPDATED ON 26.11.12

SLIDING DOOR



0617

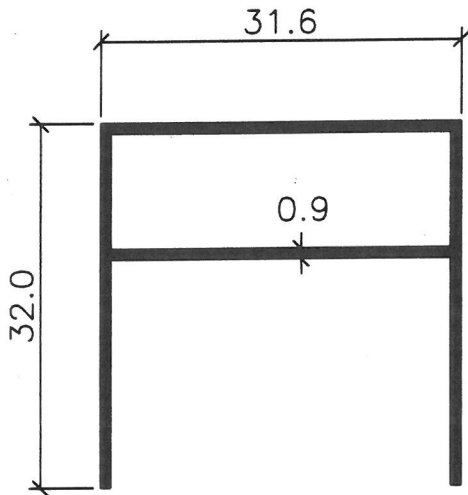


0618

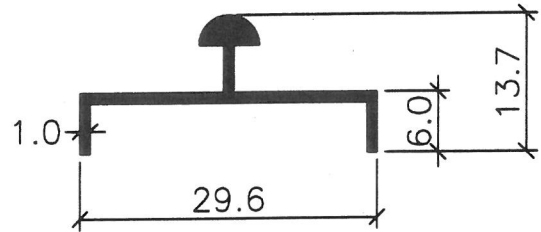


NOTE:
- THE DRAWINGS ARE NOT TO SCALE
- ALL DIMENSION ARE SHOWN IN MM, OTHERWISE WOULD BE STATED
- DRAWING AS PER UPDATED ON 10.03.08

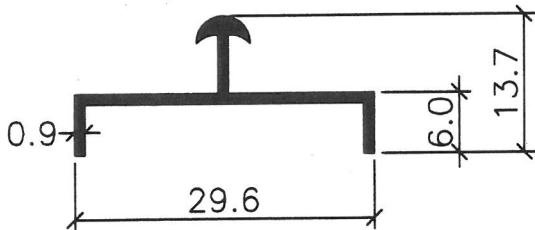
SLIDING DOOR - SERIES 2



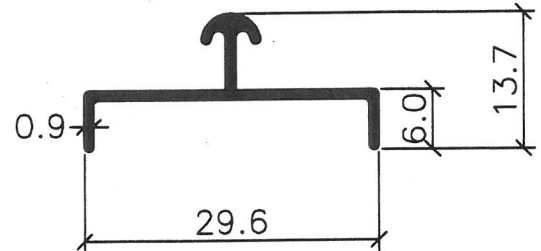
0681



0682



0682M



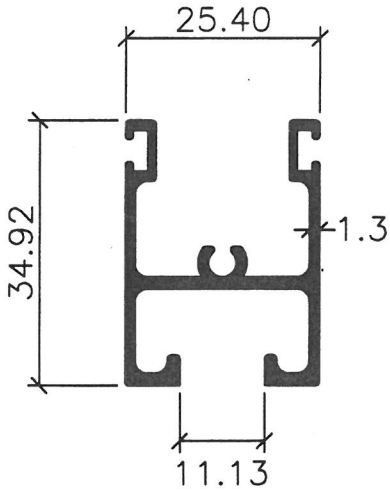
0682G



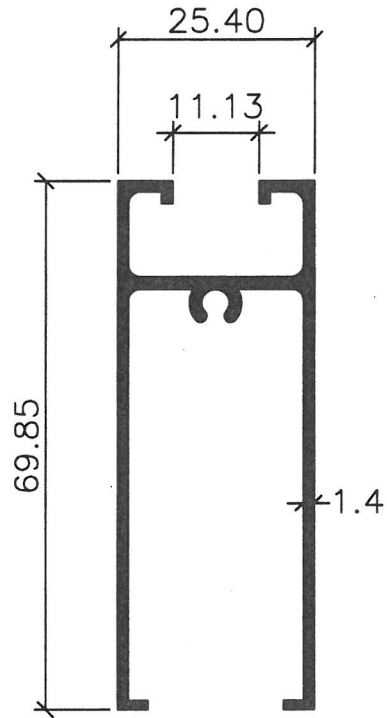
NOTE:

- THE DRAWINGS ARE NOT TO SCALE
- ALL DIMENSION ARE SHOWN IN MM, OTHERWISE WOULD BE STATED
- DRAWING AS PER UPDATED ON 27.11.07

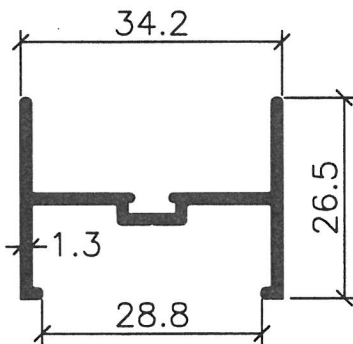
SLIDING DOOR INNER



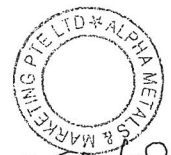
0711M



0712M



0716G



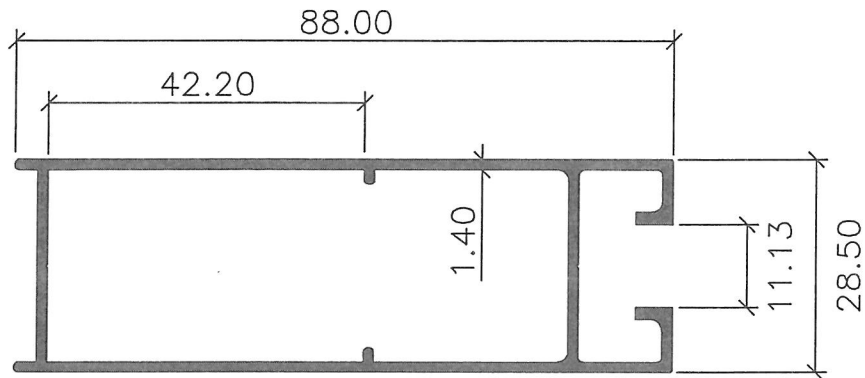
28/8/08

NOTE:

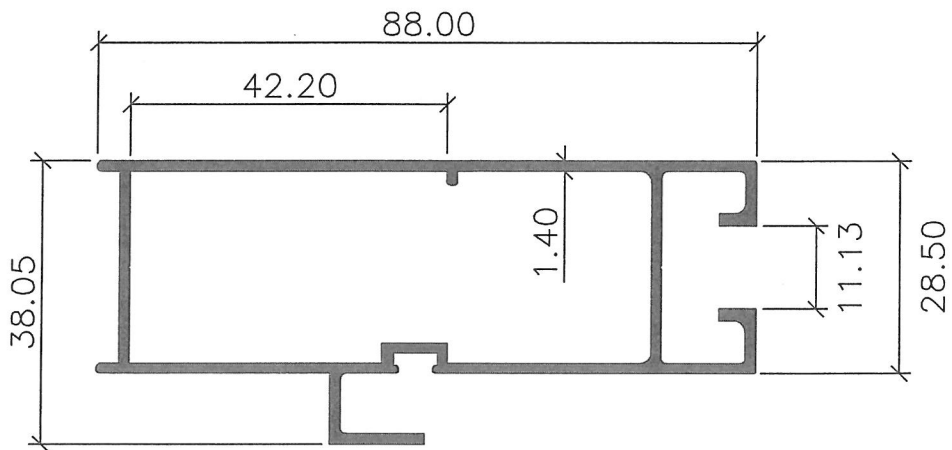
- THE DRAWINGS ARE NOT TO SCALE
- ALL DIMENSION ARE SHOWN IN MM, OTHERWISE WOULD BE STATED
- DRAWING AS PER UPDATED ON 26.08.08

PAGE 07-02(R1)

SLIDING DOOR INNER TYPE A

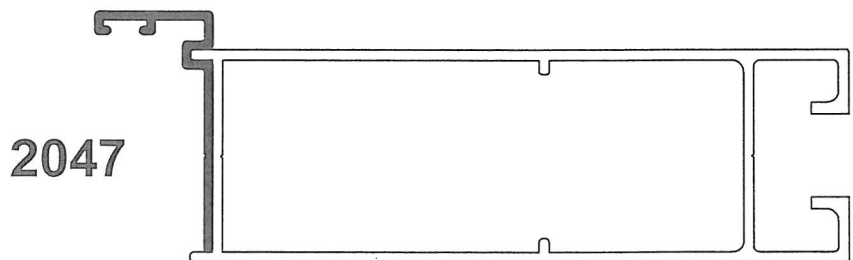


0713MB



0714MB

12/3/13

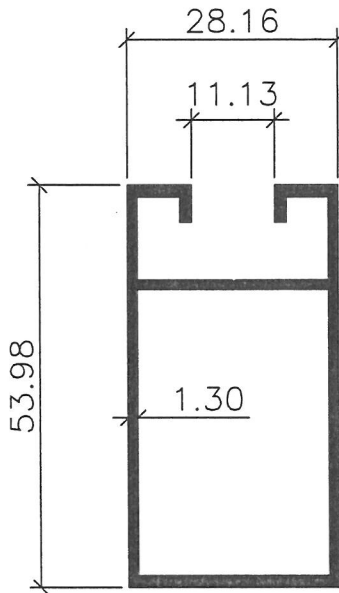


2047

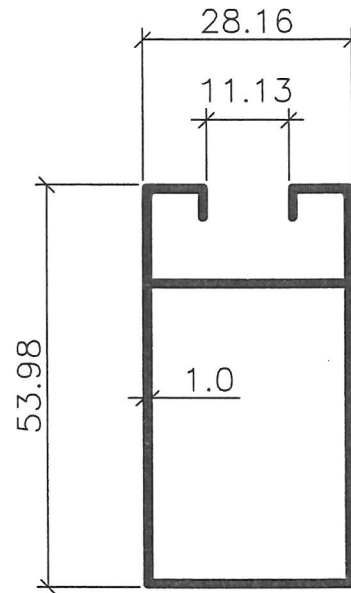
MATCHING DIAGRAM

- THE DRAWINGS ARE NOT TO SCALE
- ALL DIMENSION ARE SHOWN IN MM, OTHERWISE WOULD BE STATED
- DRAWING AS PER UPDATED ON 07.03.13

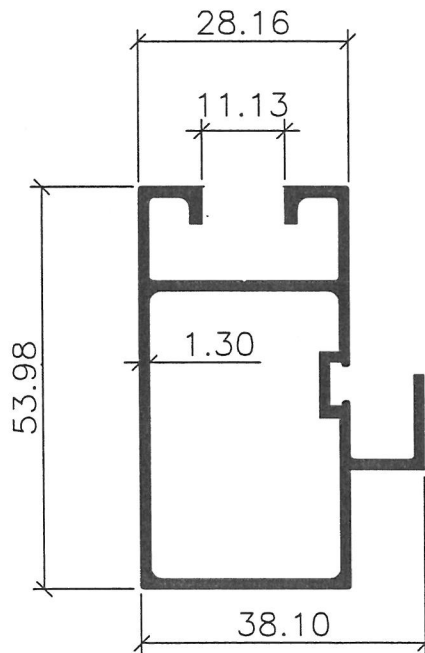
SLIDING DOOR INNER TYPE B



0713MS



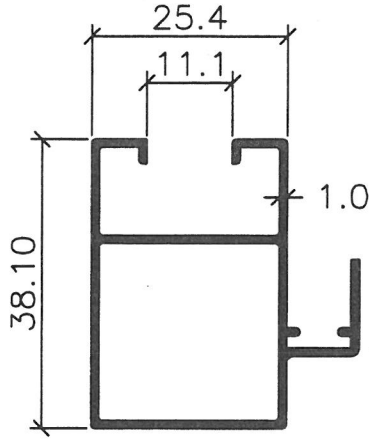
ED00925.



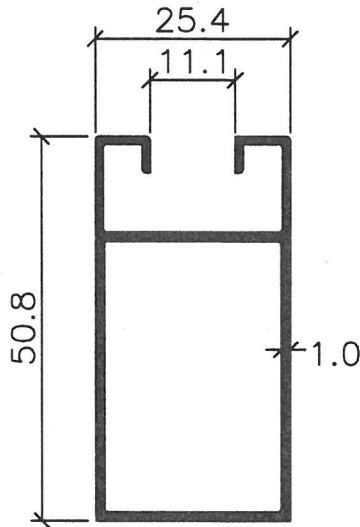
0714MS

30/12/12

SLIDING DOOR INNER TYPE C



0719



0718



22/11/08

NOTE:

- THE DRAWINGS ARE NOT TO SCALE
- ALL DIMENSION ARE SHOWN IN MM, OTHERWISE WOULD BE STATED
- DRAWING AS PER UPDATED ON 14.01.08