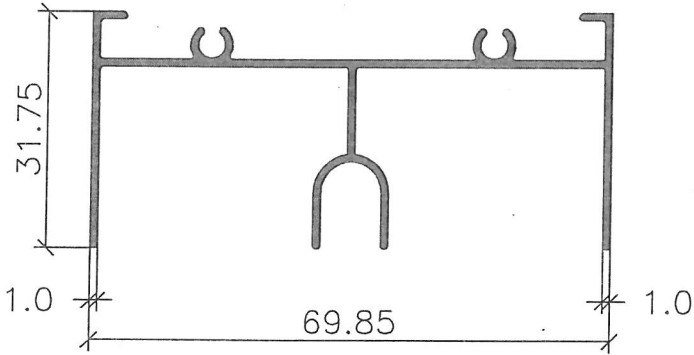
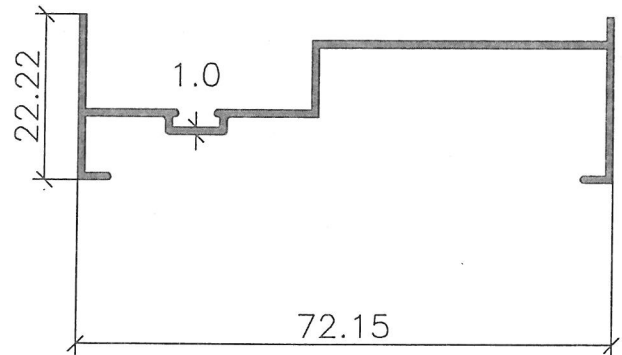


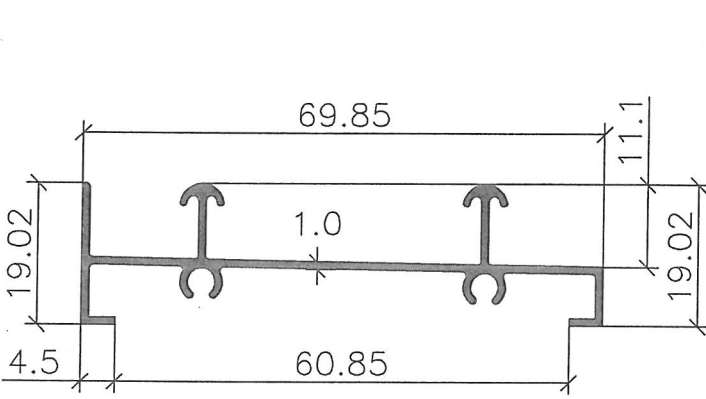
SLIDING WINDOW



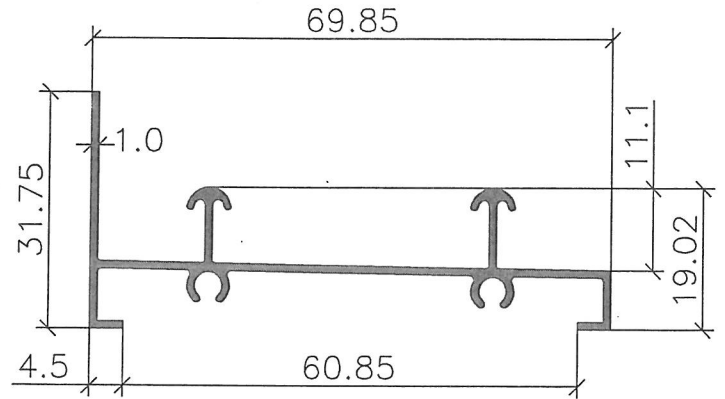
0216



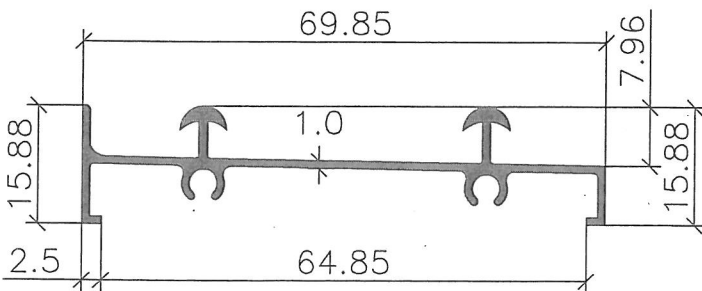
0218



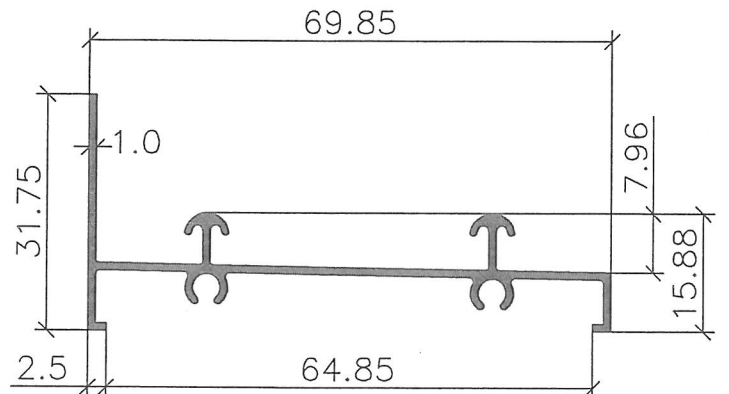
0219L



0219



0217L



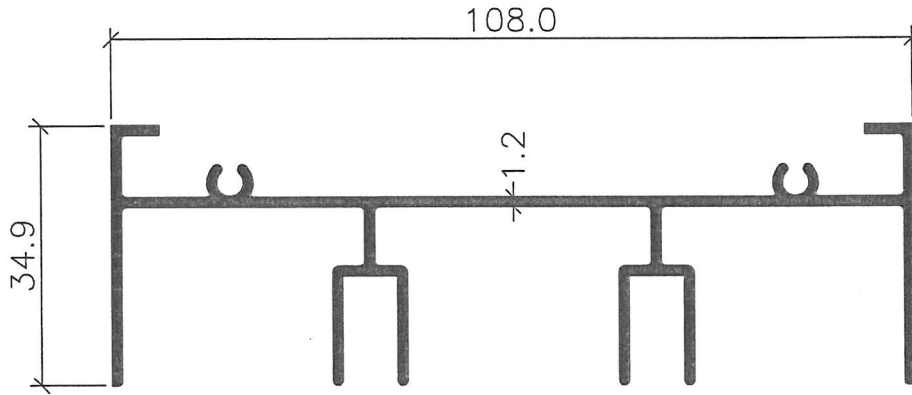
0217M

NOTE:
 - THE DRAWINGS ARE NOT TO SCALE
 - ALL DIMENSION ARE SHOWN IN MM, OTHERWISE WOULD BE STATED
 - DRAWING AS UPDATED ON 10.10.14

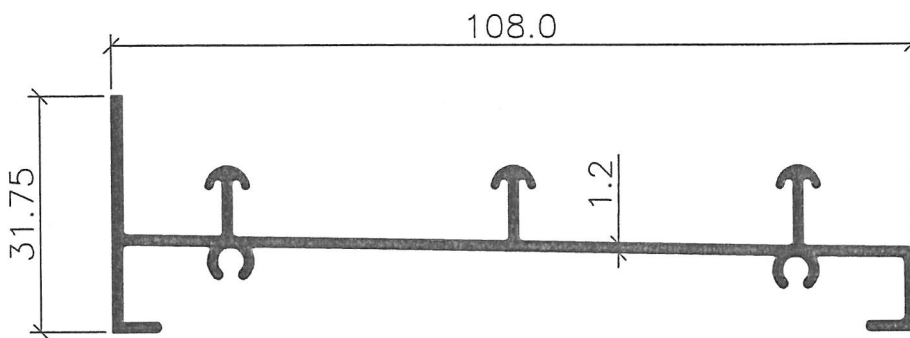


12/10/14

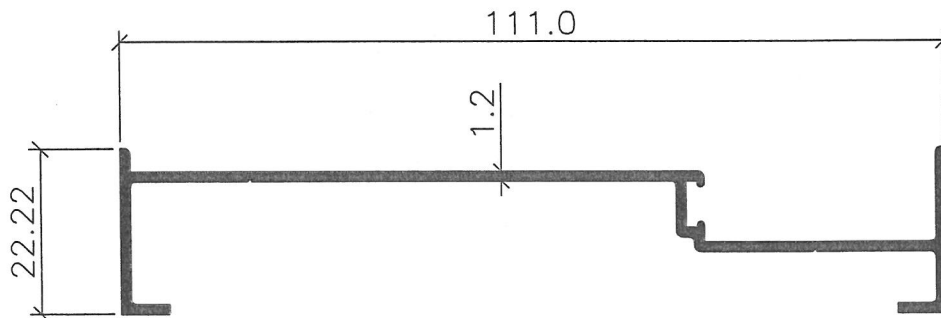
SLIDING WINDOW



0213



0214M

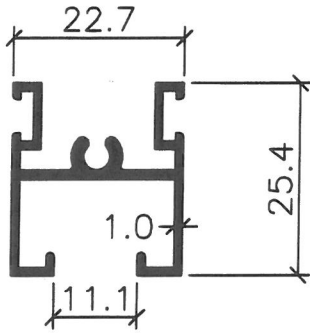


0215

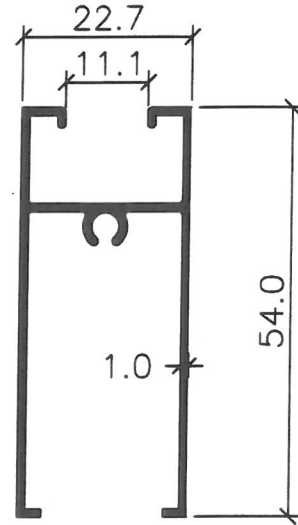
6/3/13

NOTE:
- THE DRAWINGS ARE NOT TO SCALE
- ALL DIMENSION ARE SHOWN IN MM, OTHERWISE WOULD BE STATED
- DRAWING AS UPDATED ON 05.02.13

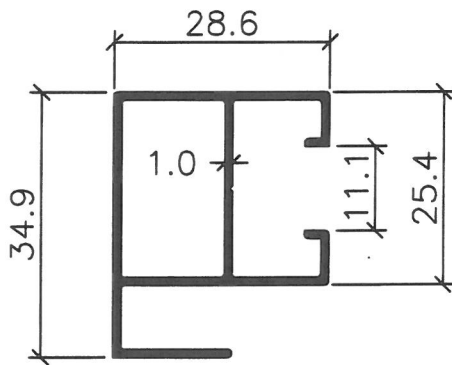
SLIDING WINDOW



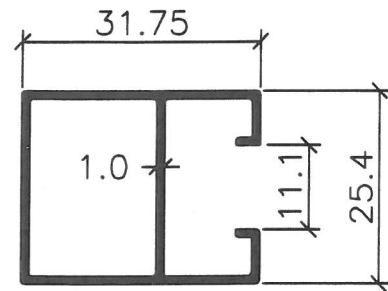
0312



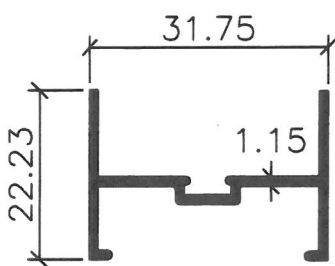
0313



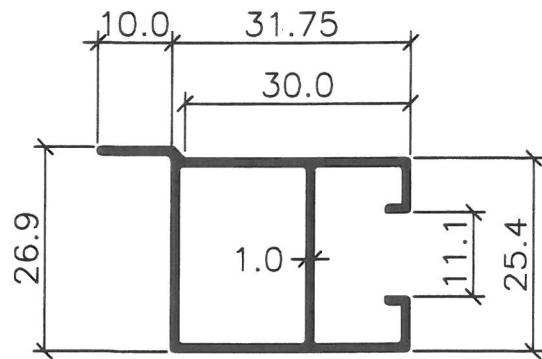
0314



0315



0311



0316

NOTE:
 - THE DRAWINGS ARE NOT TO SCALE
 - ALL DIMENSION ARE SHOWN IN MM, OTHERWISE WOULD BE STATED
 - DRAWING AS UPDATED ON 28.09.10