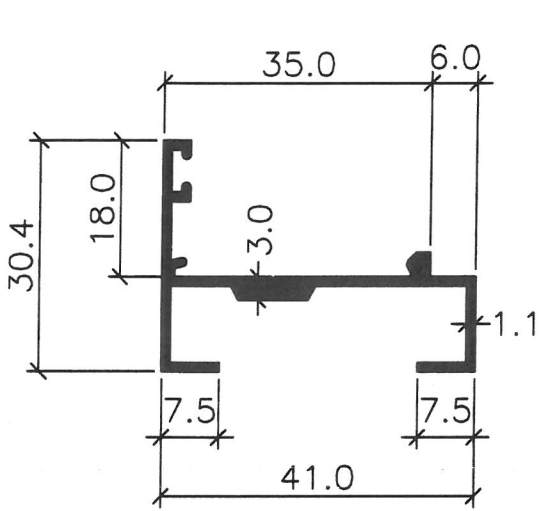
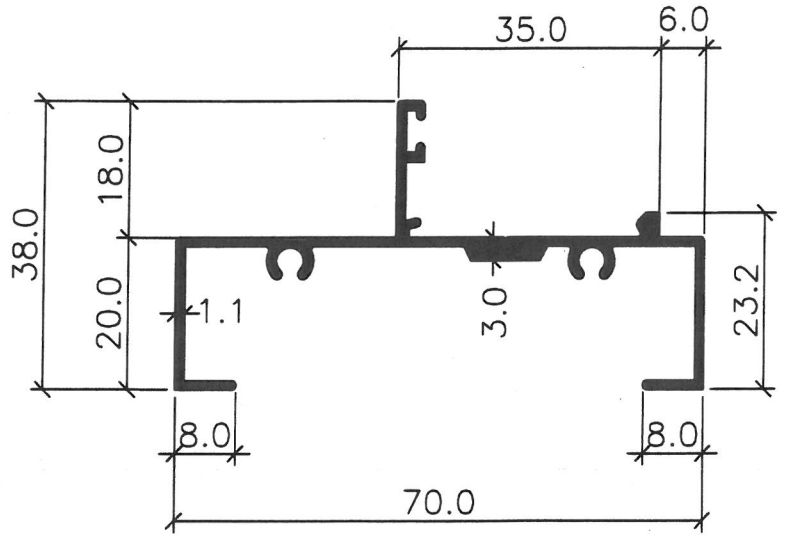


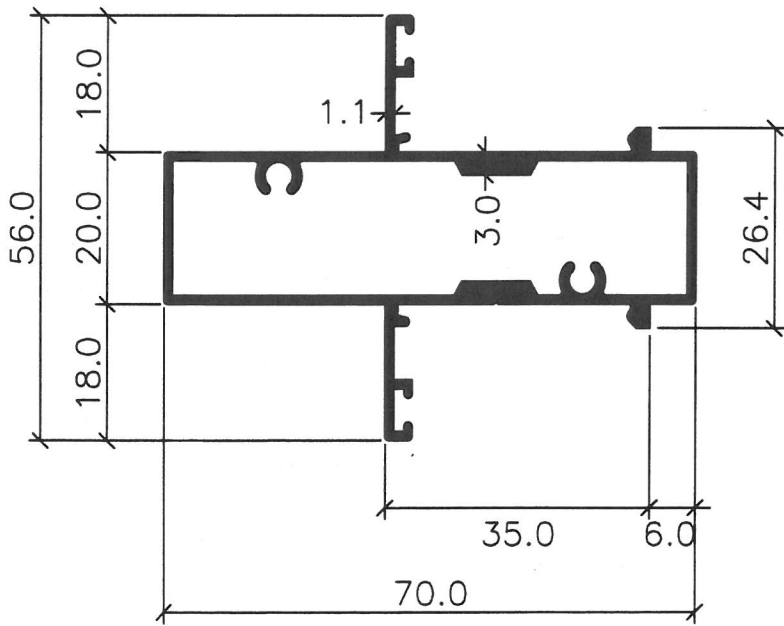
CW70A - CASEMENT WINDOW (SERIES 1)
(STAY POSITION 3mm)



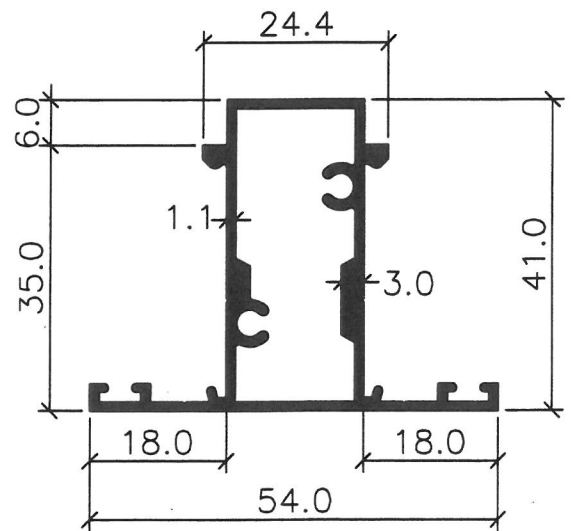
0411XL



0415XL



0416XL



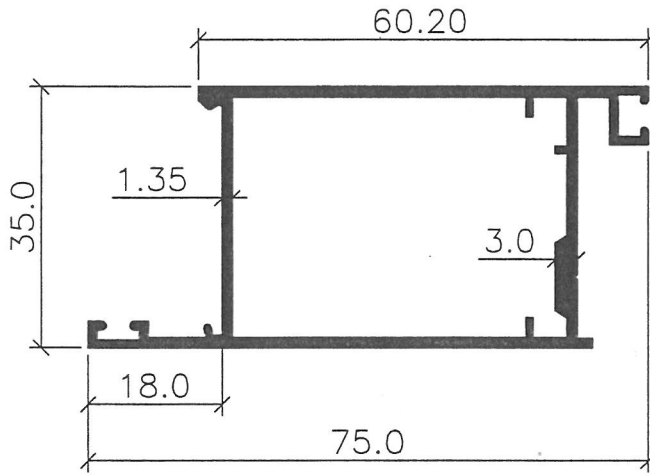
0413XL

NOTE:

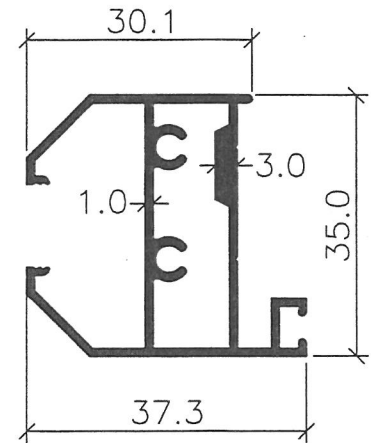
- THE DRAWINGS ARE NOT TO SCALE
- ALL DIMENSION ARE SHOWN IN MM, OTHERWISE WOULD BE STATED
- DRAWING AS PER UPDATED ON 02.01.09



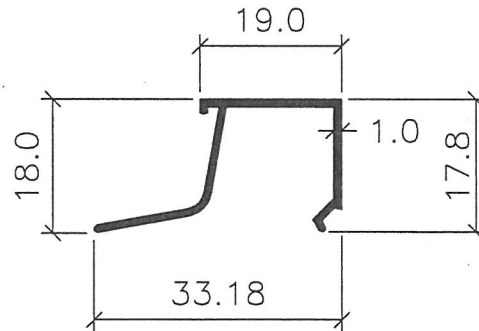
CW70A - CASEMENT WINDOW (SERIES 1 & 2)
(STAY POSITION 3mm)



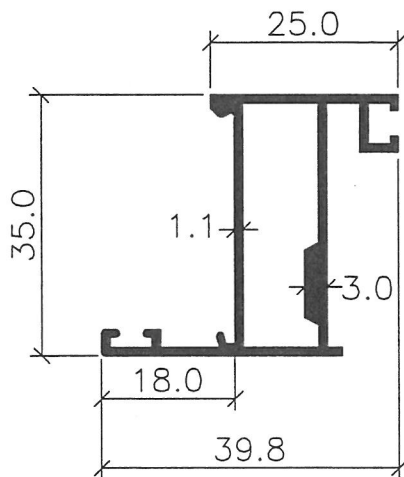
0420



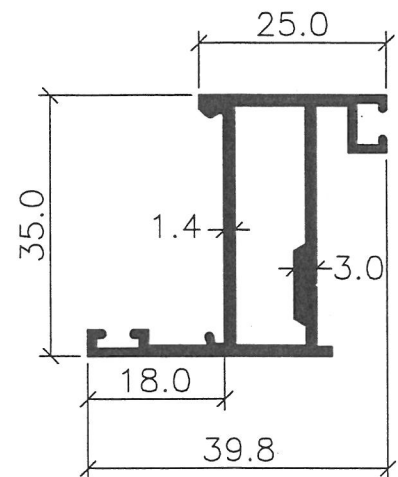
0421XL



0414



0412GX



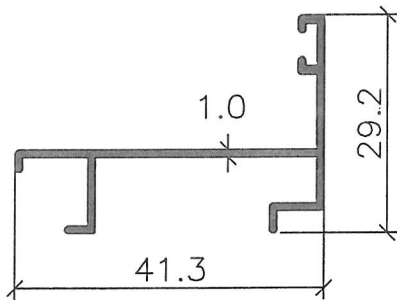
0412XL



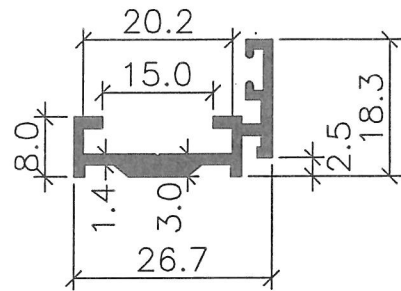
7/3/12

NOTE:
 - THE DRAWINGS ARE NOT TO SCALE
 - ALL DIMENSION ARE SHOWN IN MM, OTHERWISE WOULD BE STATED
 - DRAWING AS PER UPDATED ON 29.02.12

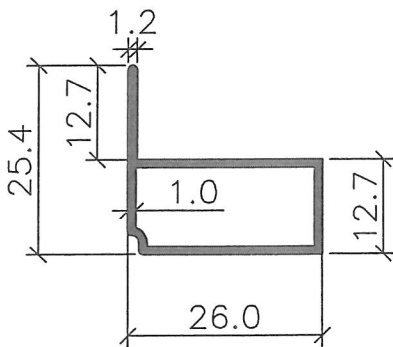
CW70A - CASEMENT WINDOW (SERIES 1 & 2)
(STAY POSITION 3mm)



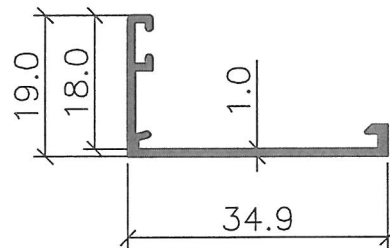
0422G



0492



0427

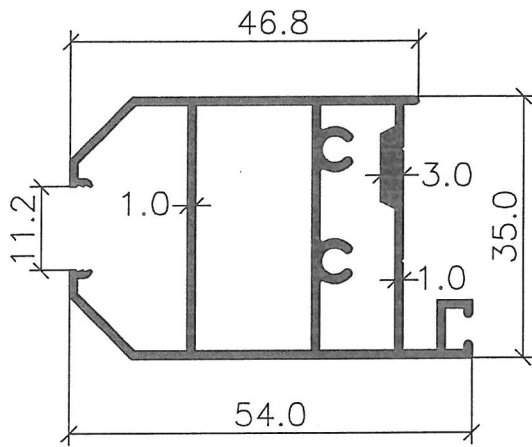


0428

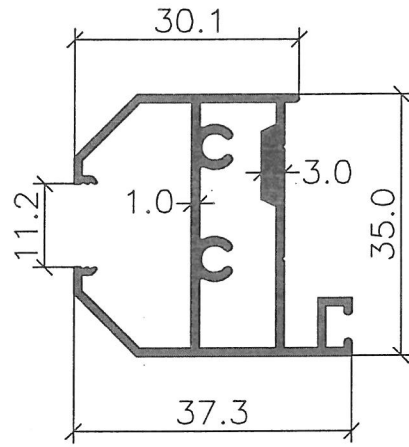


NOTE:
- THE DRAWINGS ARE NOT TO SCALE
- ALL DIMENSION ARE SHOWN IN MM, OTHERWISE WOULD BE STATED
- DRAWING AS PER UPDATED ON 02.04.13

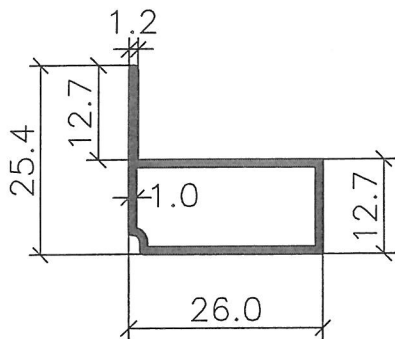
CW70A - CASEMENT WINDOW (SERIES 1 & 2)
(STAY POSITION 3mm)



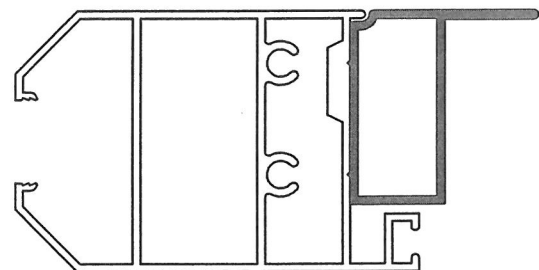
0421WG



0421XL



0427



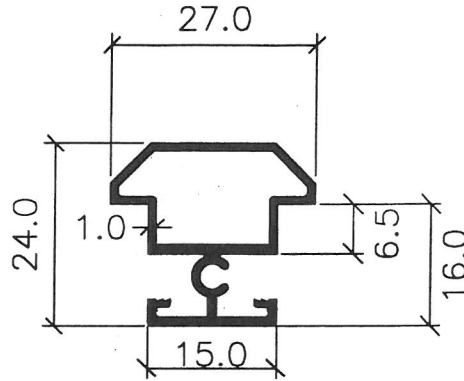
MATCHING DIAGRAM

NOTE:

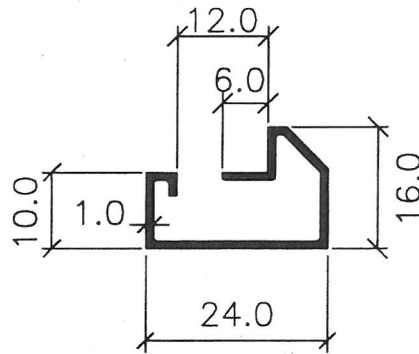
- THE DRAWINGS ARE NOT TO SCALE
- ALL DIMENSION ARE SHOWN IN MM, OTHERWISE WOULD BE STATED
- DRAWING AS PER UPDATED ON 10.09.14

12/9/14

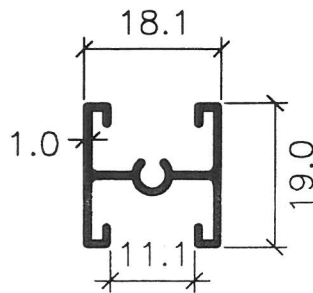
CW70A - CASEMENT WINDOW



0424SM



0426

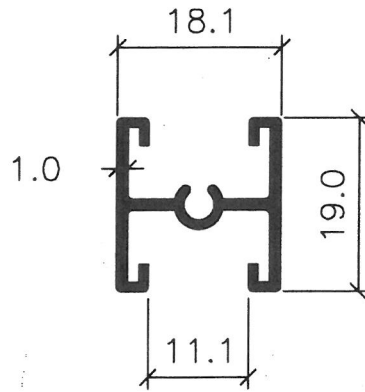


2026

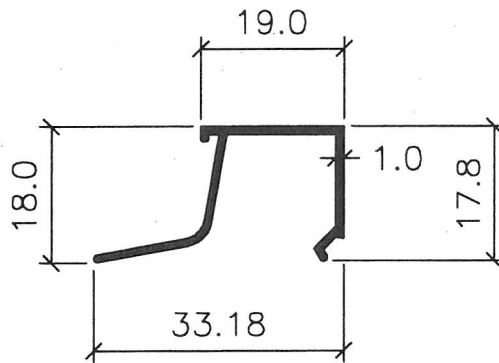


NOTE:
- THE DRAWINGS ARE NOT TO SCALE
- ALL DIMENSION ARE SHOWN IN MM, OTHERWISE WOULD BE STATED
- DRAWING AS PER UPDATED ON 23.08.08

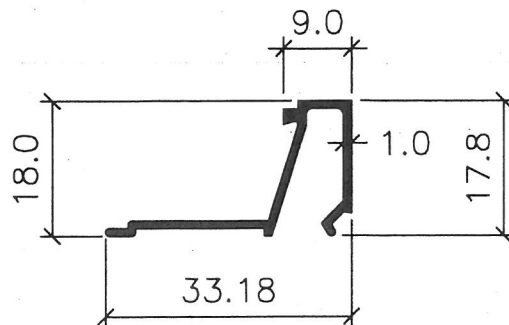
CW70A - CASEMENT WINDOW



2026



0414

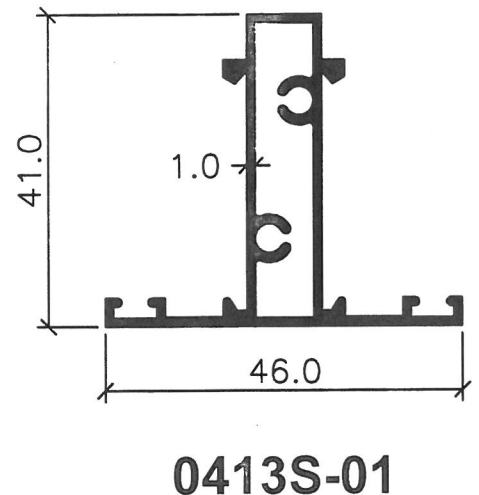
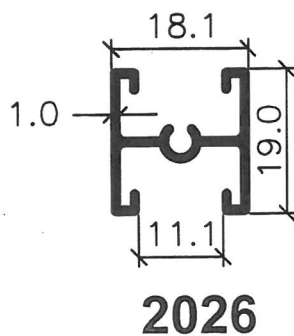
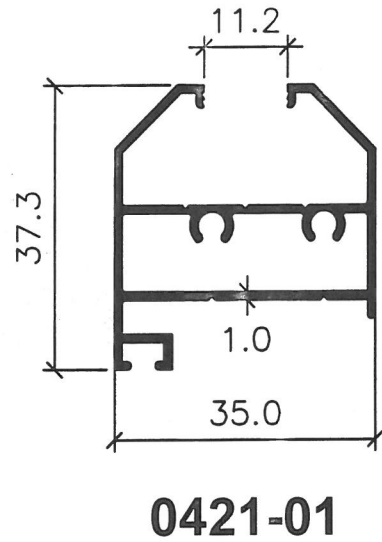
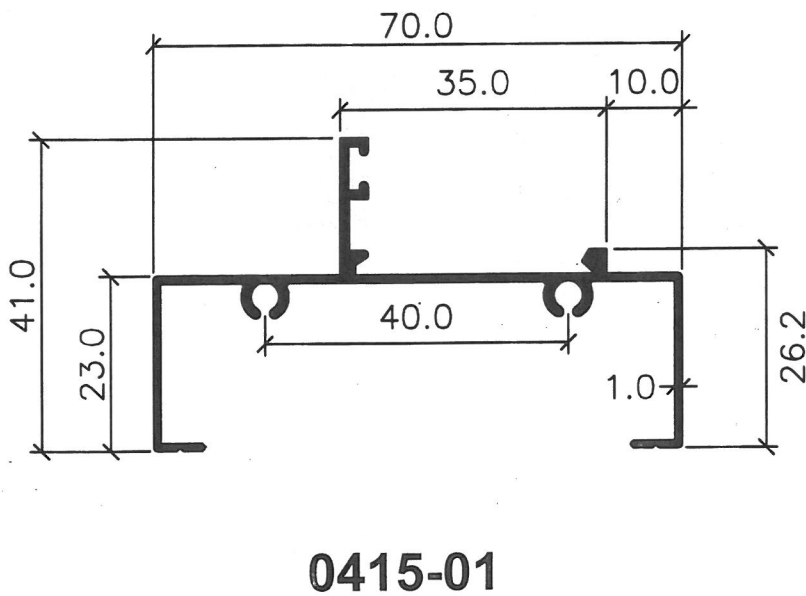
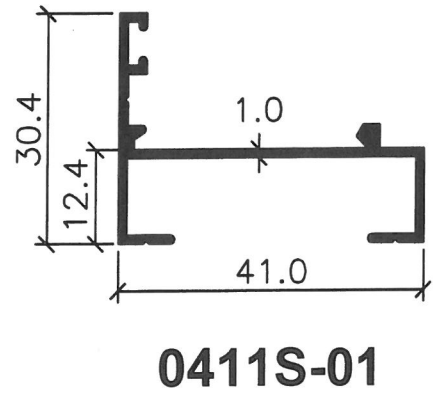
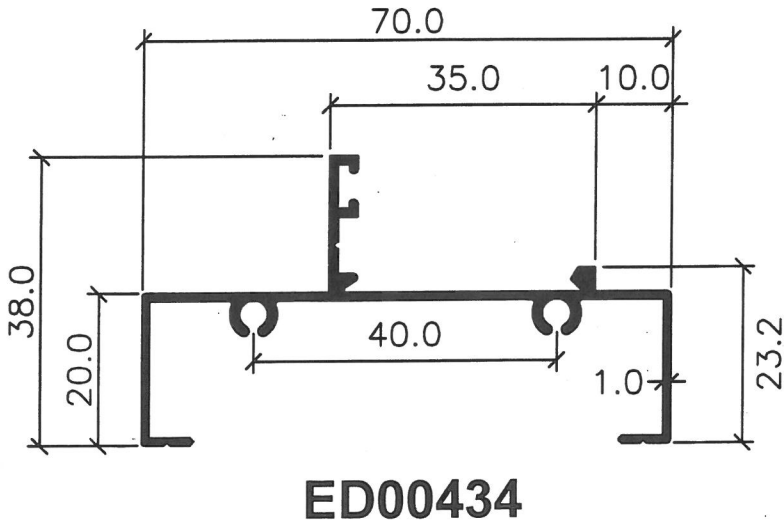


2135

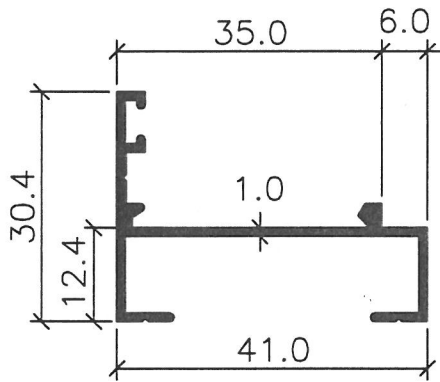


11/5/07

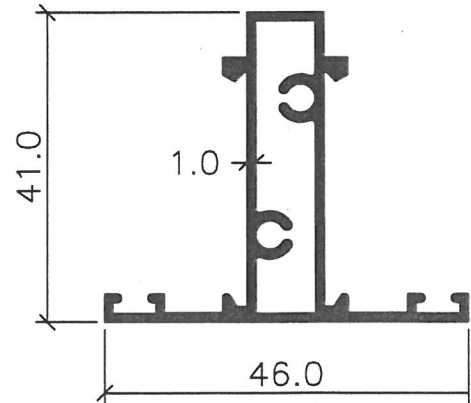
CW70A - CASEMENT WINDOW



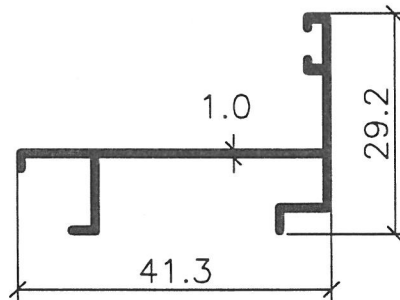
CW70A - CASEMENT WINDOW
(THICKNESS 1mm)



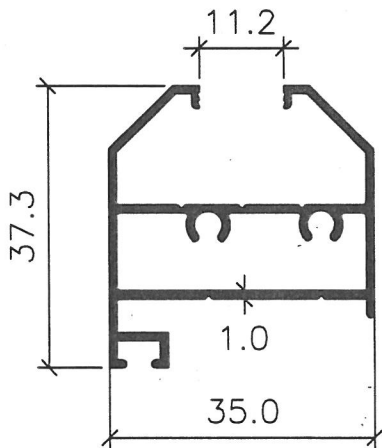
0411S-01



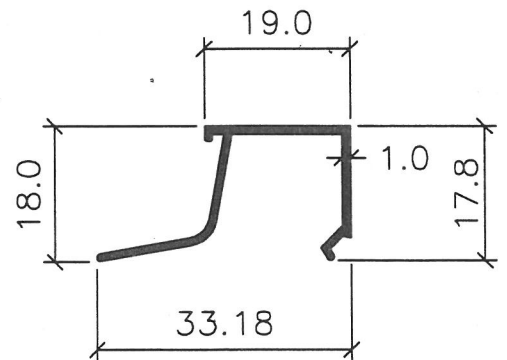
0413S-01



0422G



0421-01

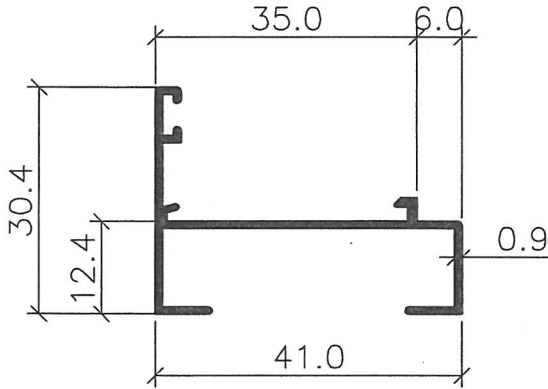


0414

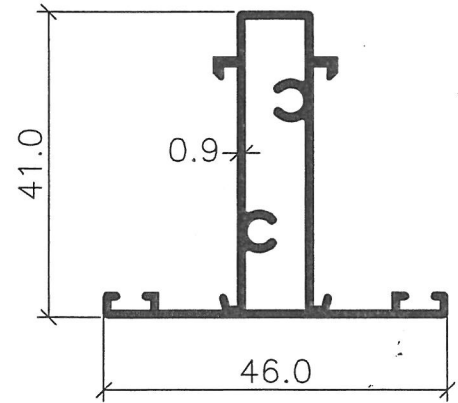


NOTE:
 - THE DRAWINGS ARE NOT TO SCALE
 - ALL DIMENSION ARE SHOWN IN MM, OTHERWISE WOULD BE STATED
 - DRAWING AS PER UPDATED ON 18.11.10

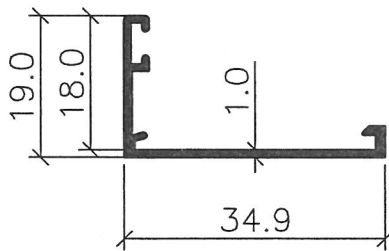
CW70A - CASEMENT WINDOW
(THICKNESS 0.9 mm)



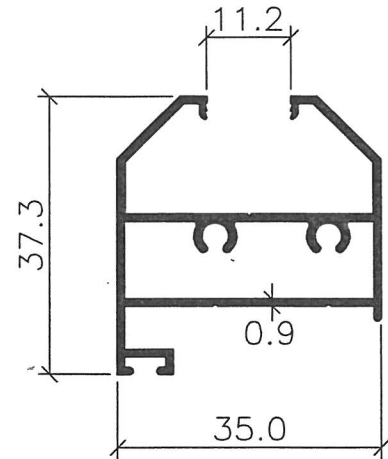
ED02567.



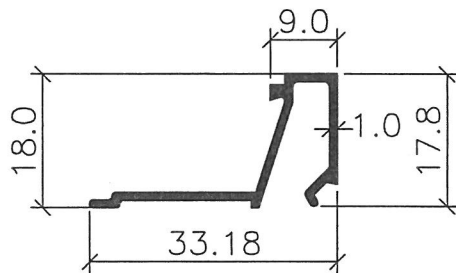
ED02098.



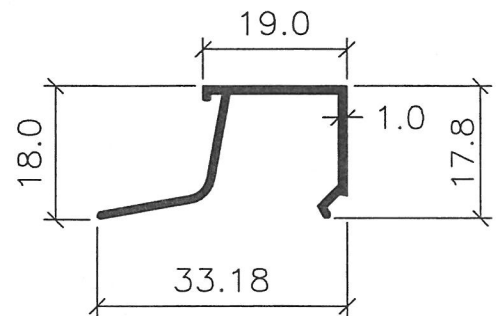
ED02434.



ED02038.



2135



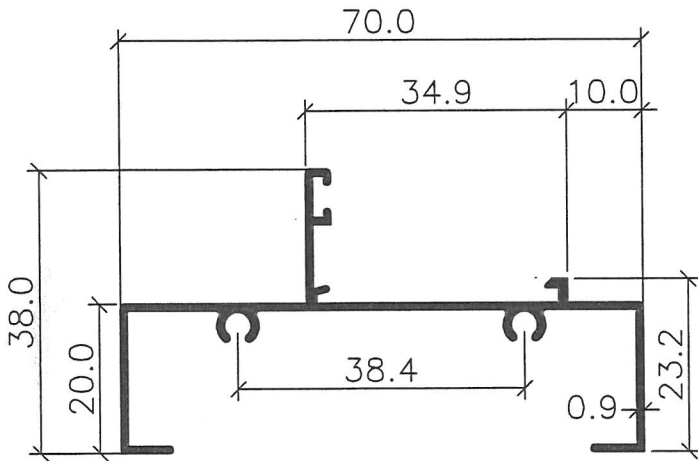
0414

NOTE:

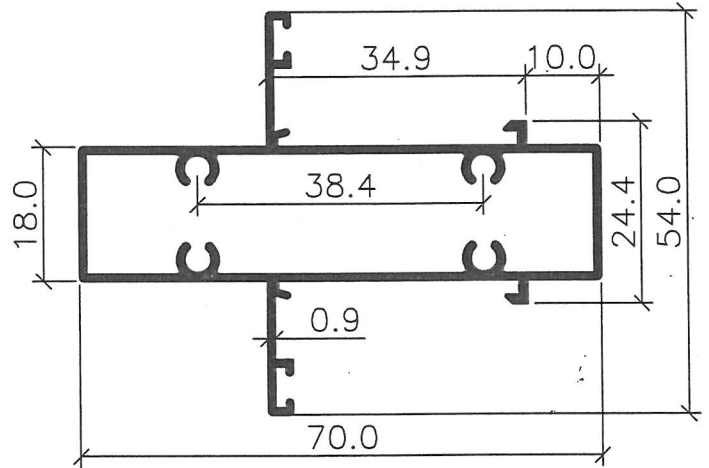
- THE DRAWINGS ARE NOT TO SCALE
- ALL DIMENSION ARE SHOWN IN MM, OTHERWISE WOULD BE STATED
- DRAWING AS PER UPDATED ON 26.12.12

20/12/12

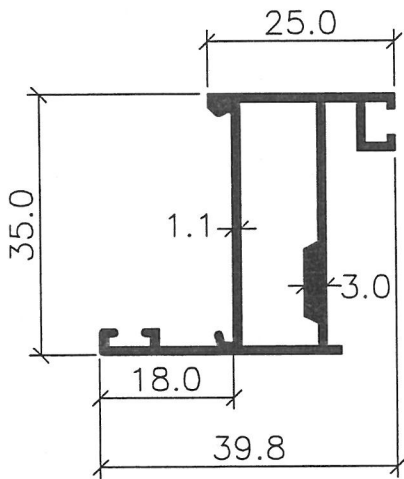
CW70A - CASEMENT WINDOW
(THICKNESS 0.9 mm)



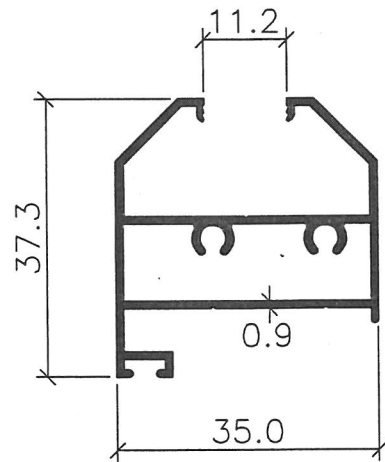
ED02041.



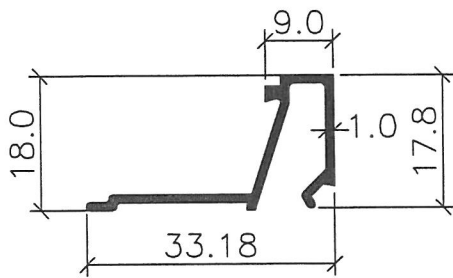
ED02574.



0412GX

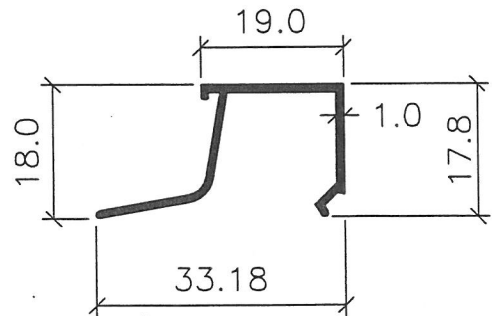


ED02038.



2135

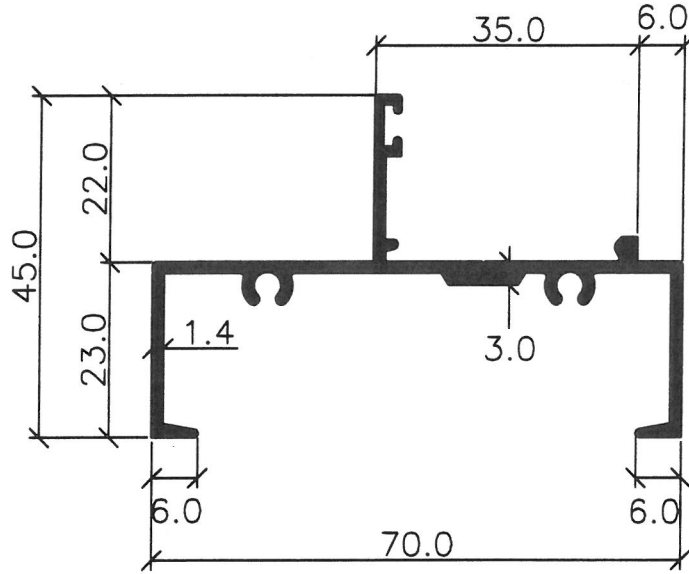
30/12/12



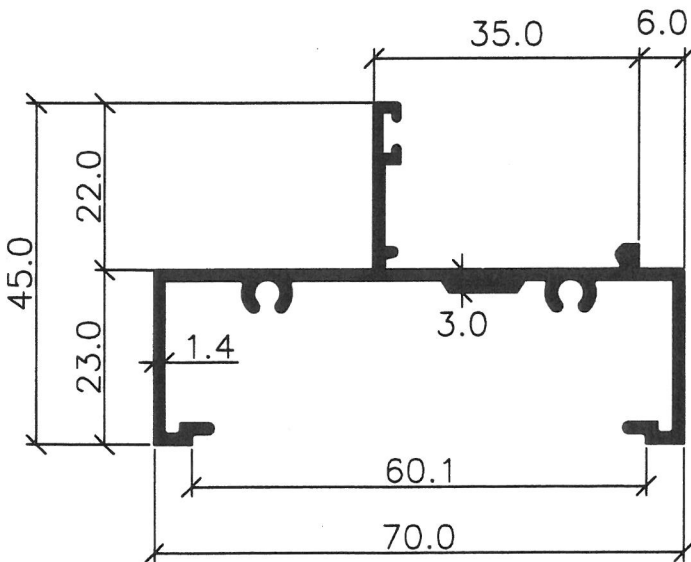
0414

NOTE:
 - THE DRAWINGS ARE NOT TO SCALE
 - ALL DIMENSION ARE SHOWN IN MM, OTHERWISE WOULD BE STATED
 - DRAWING AS PER UPDATED ON 28.12.12

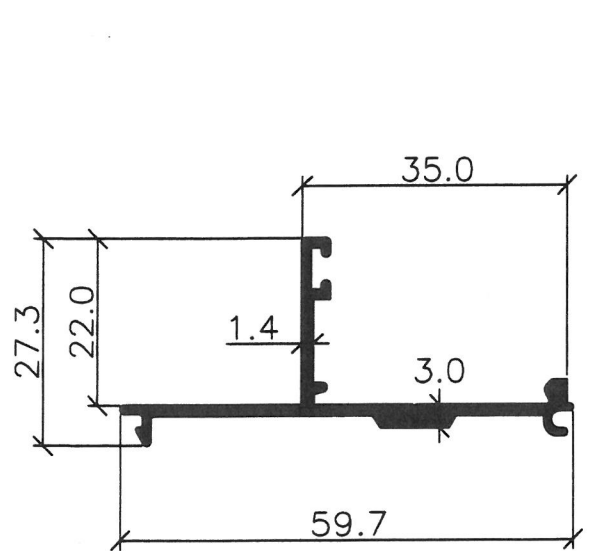
CW70A - CASEMENT WINDOW (SERIES 2)
(STAY POSITION 3mm)



0480XL



0483XL



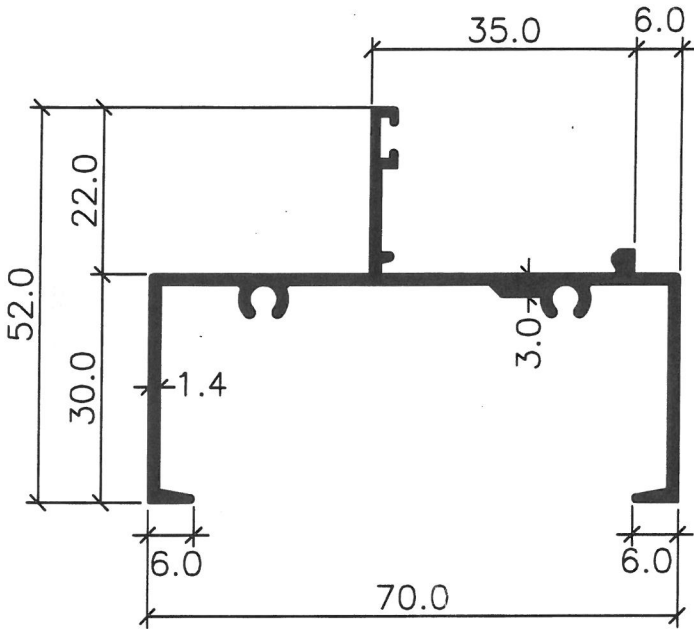
0484XL

NOTE:
 - THE DRAWINGS ARE NOT TO SCALE
 - ALL DIMENSION ARE SHOWN IN MM, OTHERWISE WOULD BE STATED
 - DRAWING AS PER UPDATED ON 22.10.08

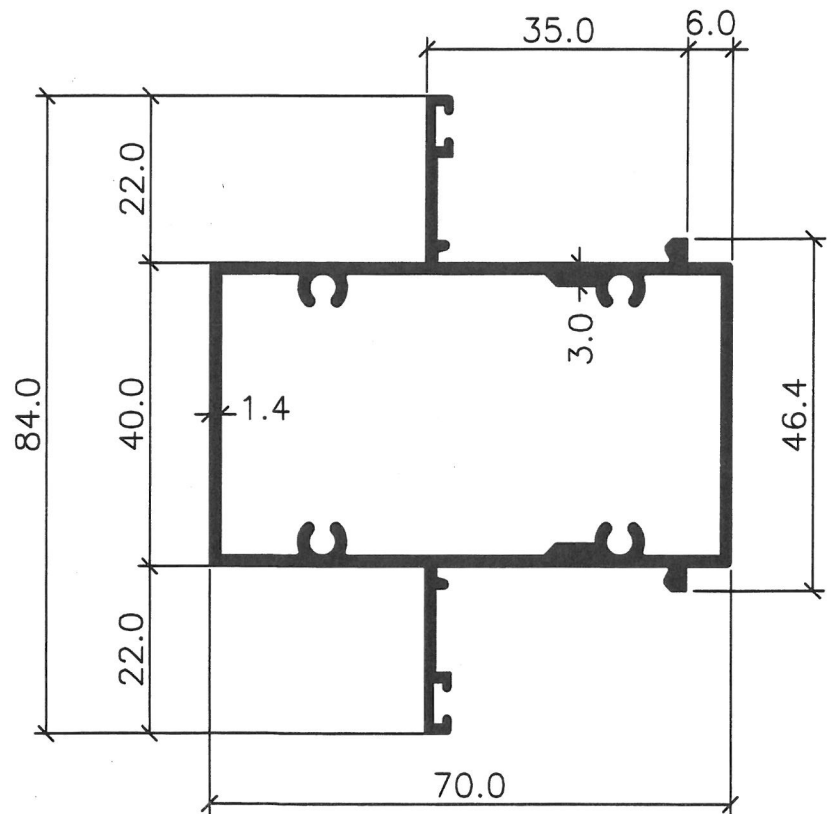


22/10/08

CW70A - CASEMENT WINDOW (SERIES 2)
(STAY POSITION 3mm)



0496

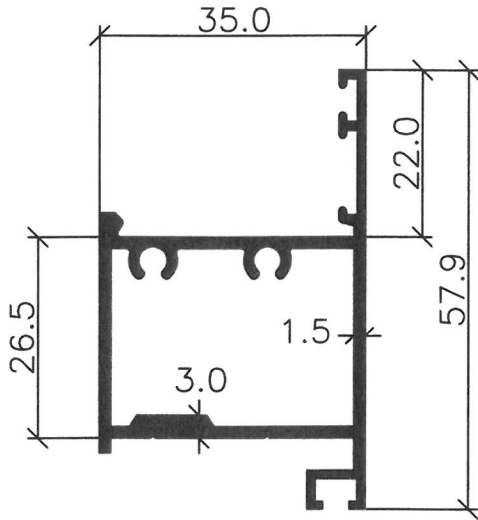


0497

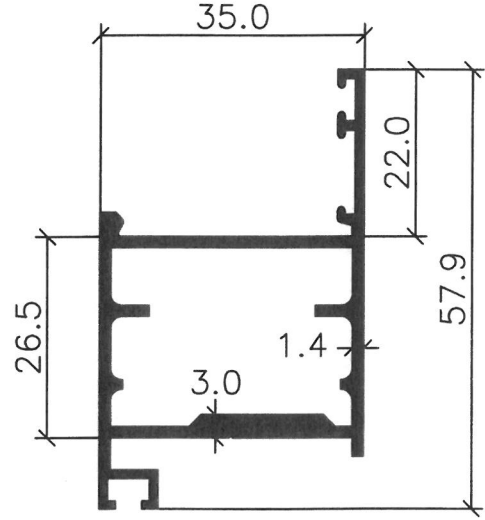


NOTE:
- THE DRAWINGS ARE NOT TO SCALE
- ALL DIMENSION ARE SHOWN IN MM, OTHERWISE WOULD BE STATED
- DRAWING AS PER UPDATED ON 02.03.10

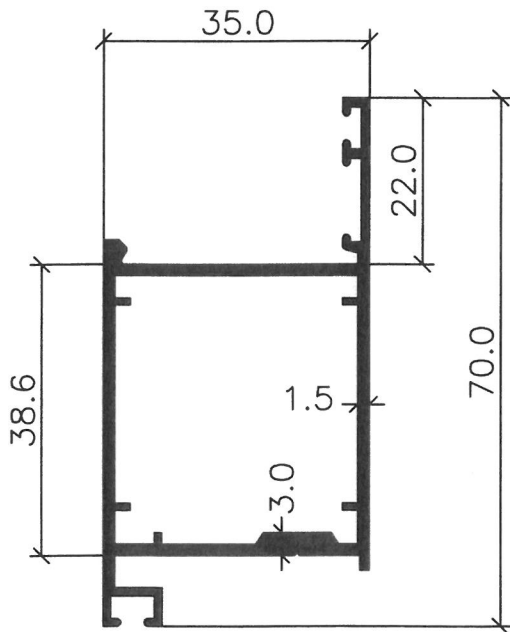
CW70A - CASEMENT WINDOW (SERIES 2)
(STAY POSITION 3mm)



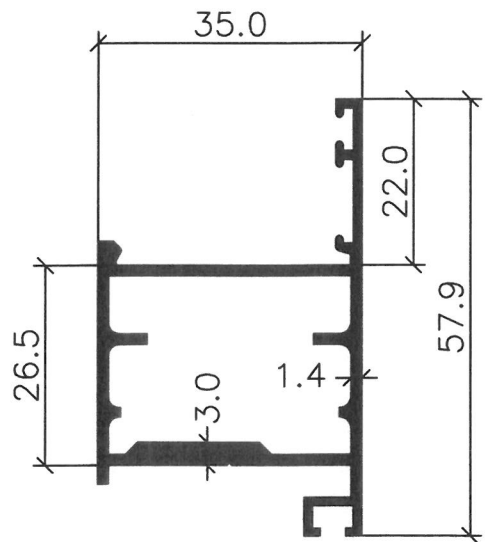
0485XL



0491



0493

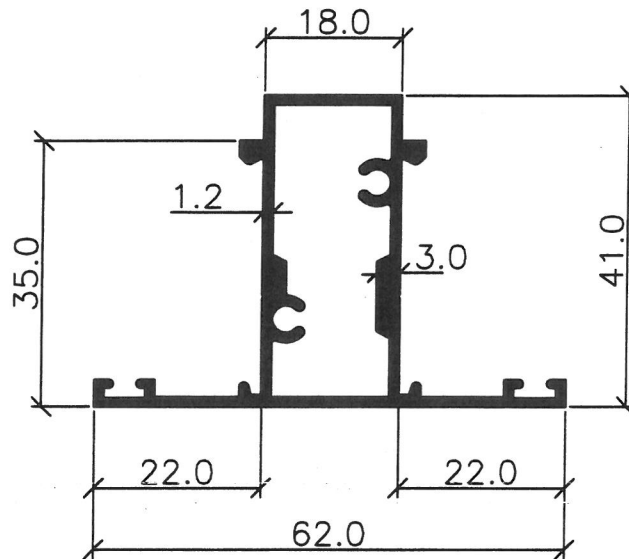


0494

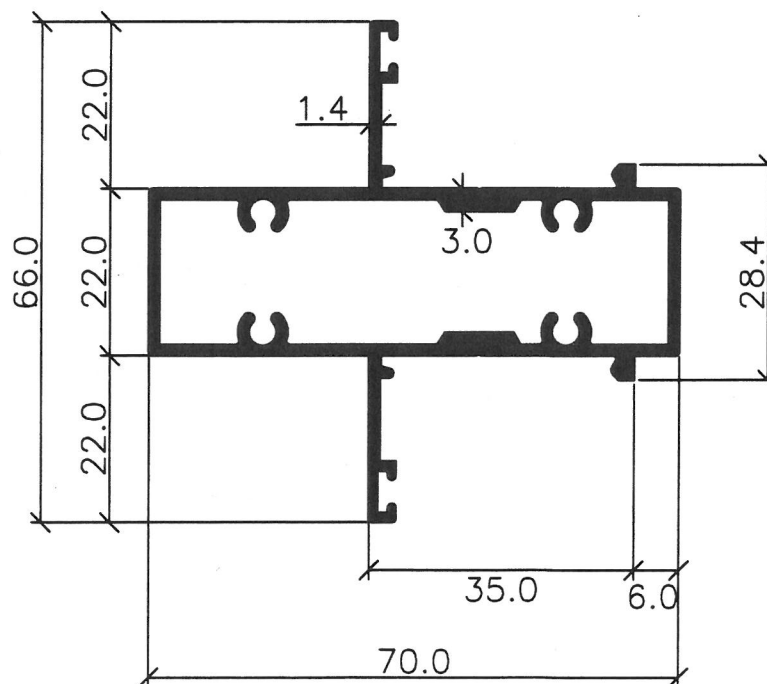


NOTE:
 - THE DRAWINGS ARE NOT TO SCALE
 - ALL DIMENSION ARE SHOWN IN MM, OTHERWISE WOULD BE STATED
 - DRAWING AS PER UPDATED ON 21.04.18

CW70A - CASEMENT WINDOW (SERIES 2)
(STAY POSITION 3mm)



0481XL



0482XL

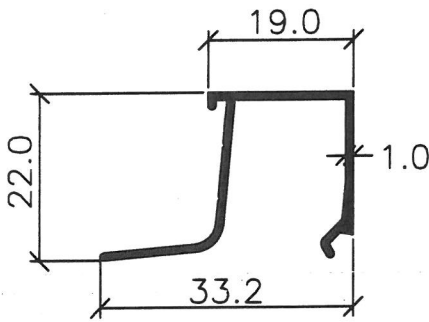
NOTE:

- THE DRAWINGS ARE NOT TO SCALE
- ALL DIMENSION ARE SHOWN IN MM, OTHERWISE WOULD BE STATED
- DRAWING AS PER UPDATED ON 07.02.09

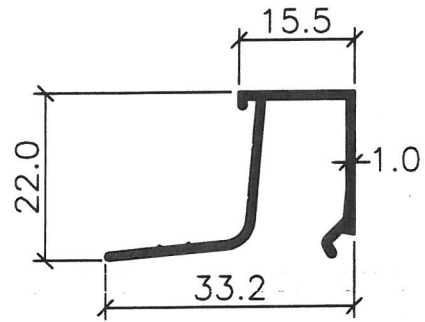


Handwritten signature or initials, possibly 'Fok H'.

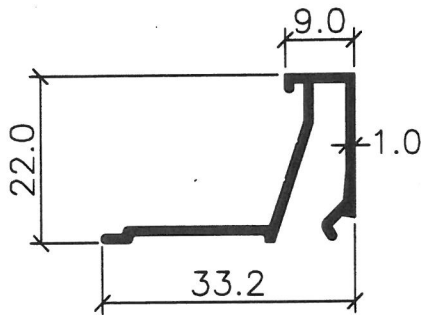
CW70A - CASEMENT WINDOW (SERIES 2)
(STAY POSITION 3mm)



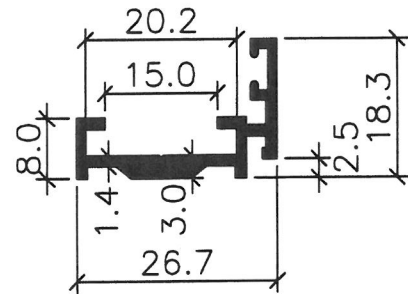
0486



0488



0487



0492

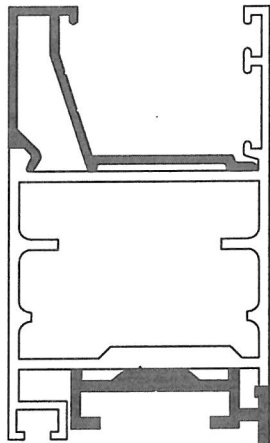
NOTE:

- THE DRAWINGS ARE NOT TO SCALE
- ALL DIMENSION ARE SHOWN IN MM, OTHERWISE WOULD BE STATED
- DRAWING AS PER UPDATED ON 06.02.09



CW70A - CASEMENT WINDOW (SERIES 2)
(STAY POSITION 3mm)

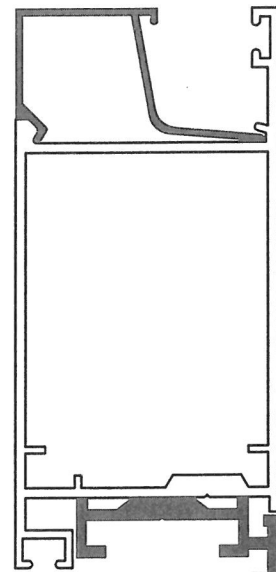
0487



0491

0492

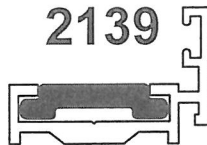
0414



0420

0492

2139



0492

MATCHING DIAGRAM



NOTE:

- THE DRAWINGS ARE NOT TO SCALE
- ALL DIMENSION ARE SHOWN IN MM, OTHERWISE WOULD BE STATED
- DRAWING AS PER UPDATED ON 03.04.13