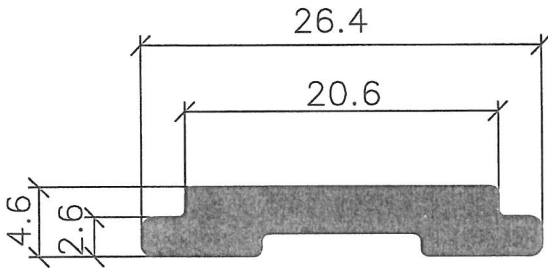
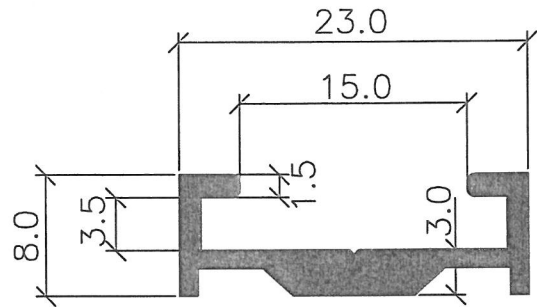


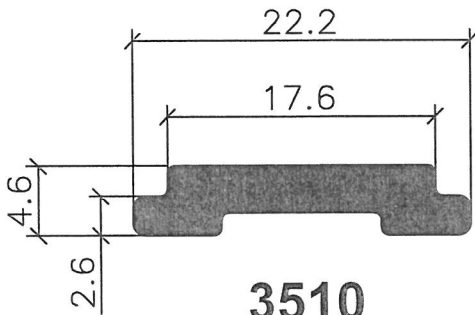
MISCELLANEOUS



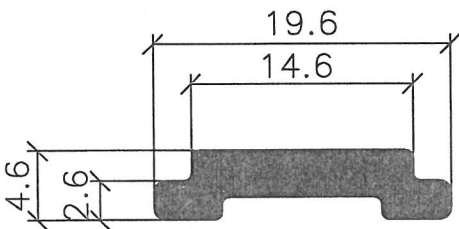
2139XL



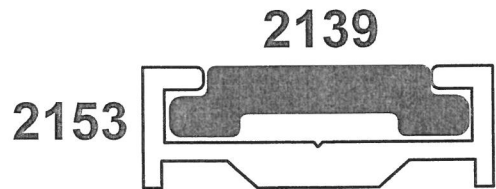
2153



3510



2139



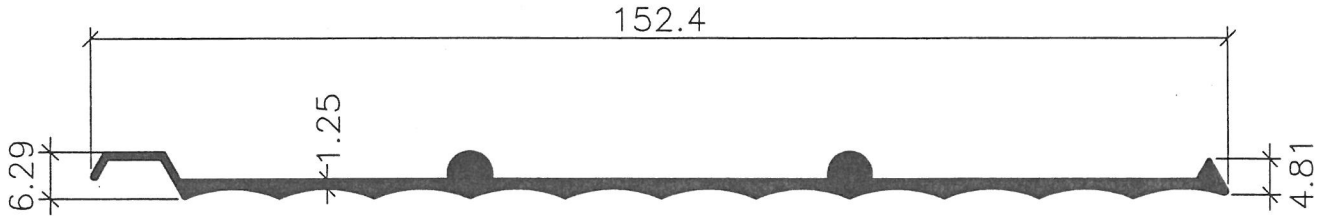
MATCHING DIAGRAM

NOTE:

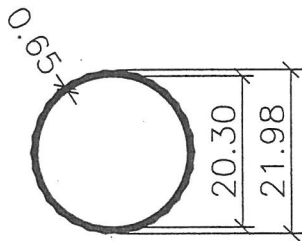
- THE DRAWINGS ARE NOT TO SCALE
- ALL DIMENSION ARE SHOWN IN MM, OTHERWISE WOULD BE STATED
- DRAWING AS PER UPDATED ON 31.01.13

6/3/13

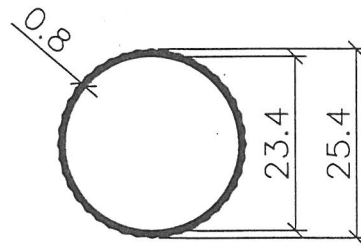
MISCELLANEOUS



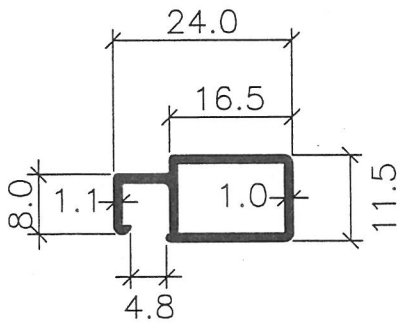
2111



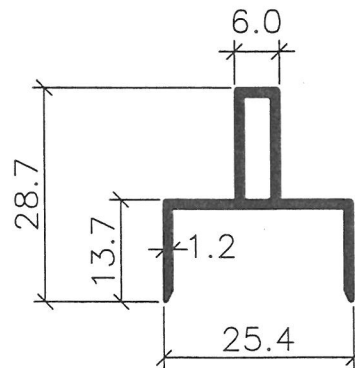
2176



ED02084.



2127



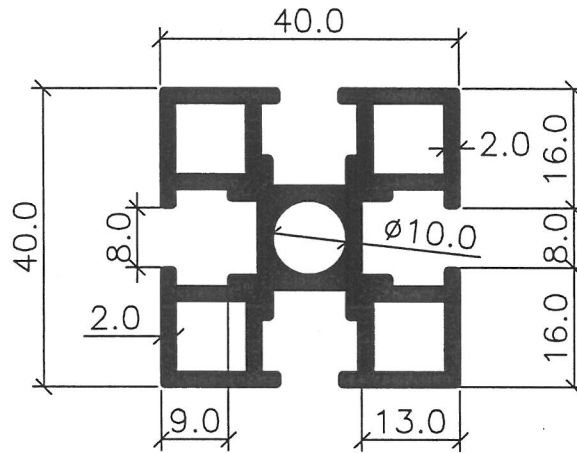
2123



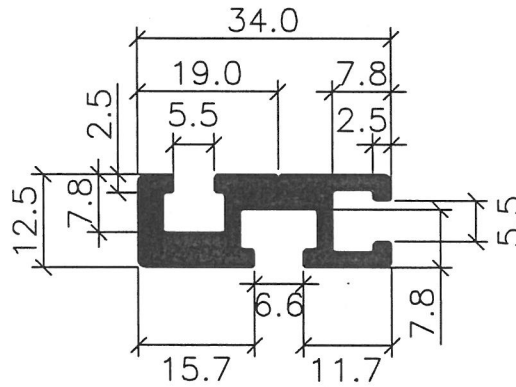
7/3/12

NOTE:
 - THE DRAWINGS ARE NOT TO SCALE
 - ALL DIMENSION ARE SHOWN IN MM, OTHERWISE WOULD BE STATED
 - DRAWING AS UPDATED ON 05.03.12

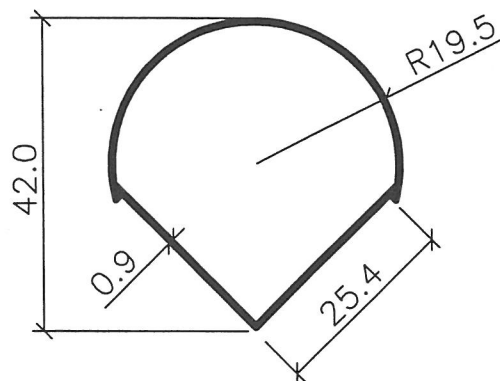
MISCELLANEOUS



2101



ED02137.



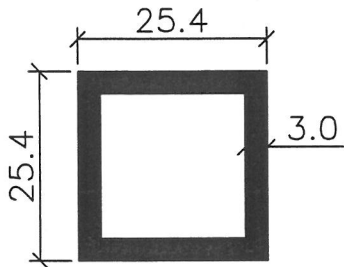
2130

17/11/12

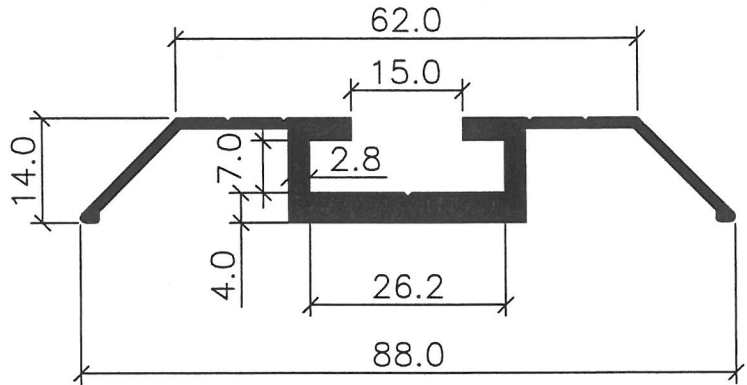
NOTE:

- THE DRAWINGS ARE NOT TO SCALE
- ALL DIMENSION ARE SHOWN IN MM, OTHERWISE WOULD BE STATED
- DRAWING AS UPDATED ON 05.11.12

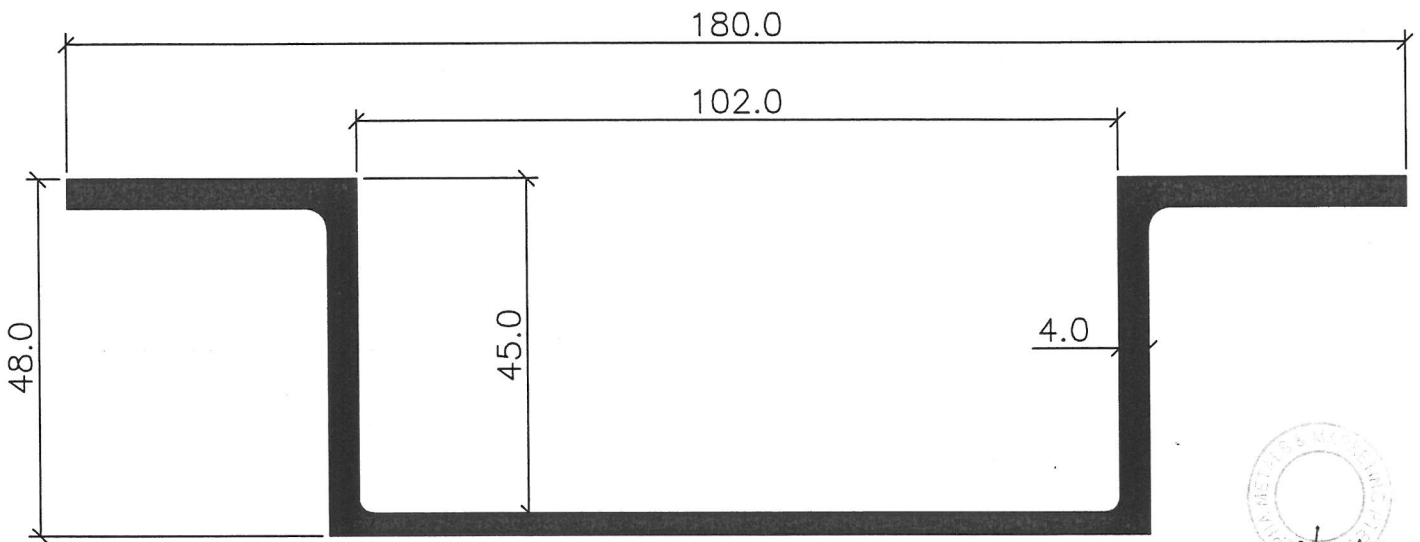
MISCELLANEOUS



1215-02

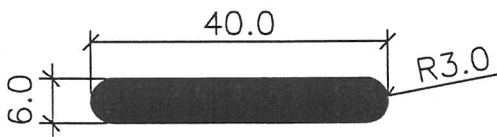


ED01393.

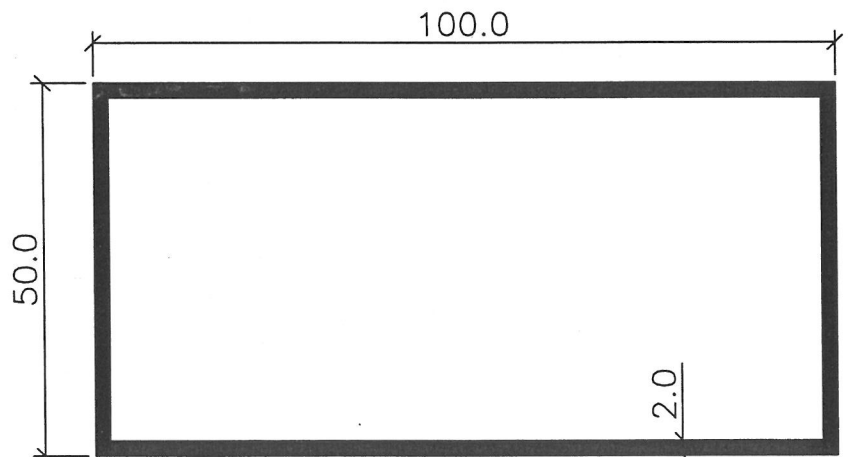


ED01953.

29/10/12



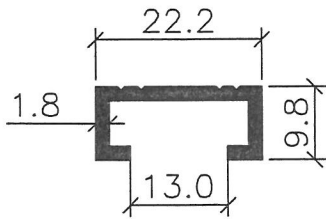
ED01323.



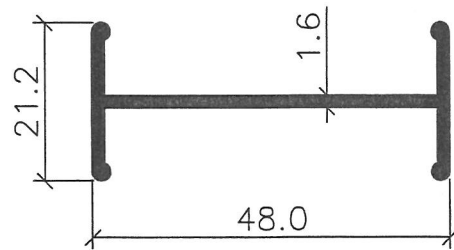
1324

NOTE:
 - THE DRAWINGS ARE NOT TO SCALE
 - ALL DIMENSION ARE SHOWN IN MM, OTHERWISE WOULD BE STATED
 - DRAWING AS UPDATED ON 24.10.12

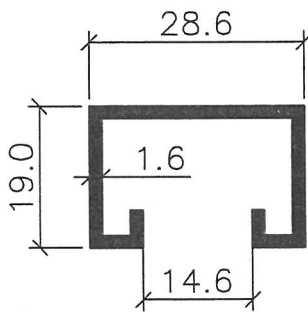
MISCELLANEOUS



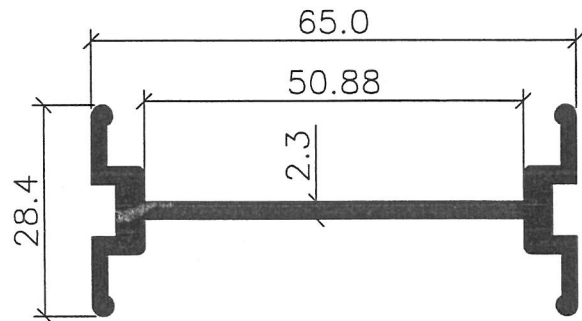
ED00179.



ED00180



ED00181



ED00320.

3/1/13

NOTE:

- THE DRAWINGS ARE NOT TO SCALE
- ALL DIMENSION ARE SHOWN IN MM, OTHERWISE WOULD BE STATED
- DRAWING AS UPDATED ON 02.01.13