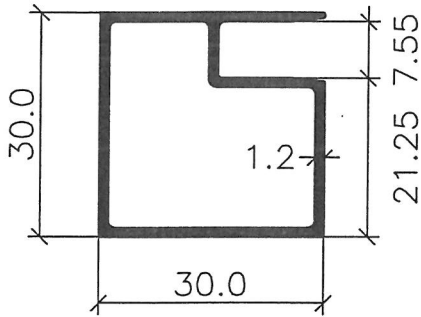
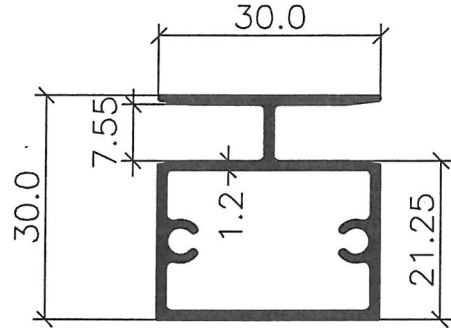


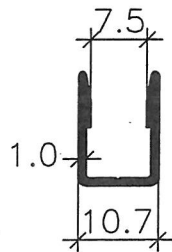
## MESH



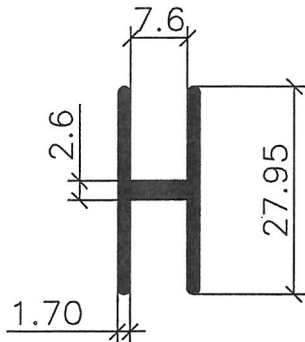
0914



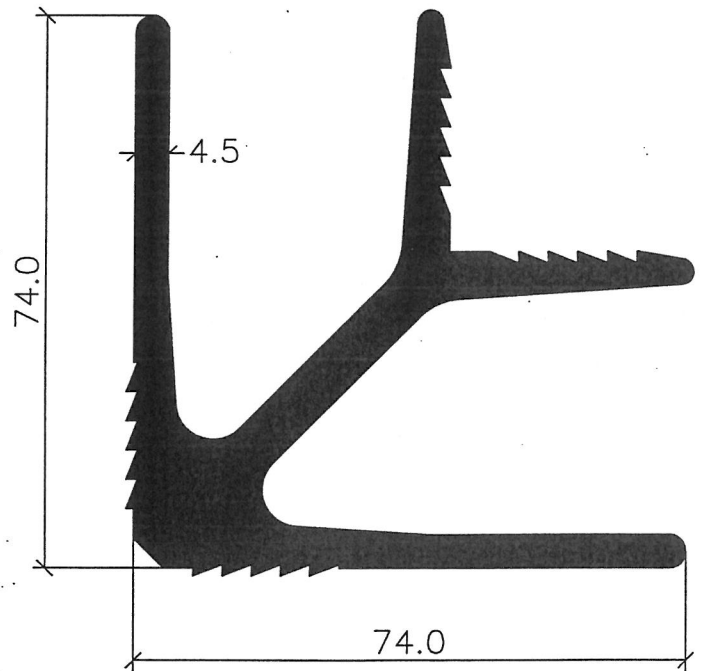
0915



0911



0902



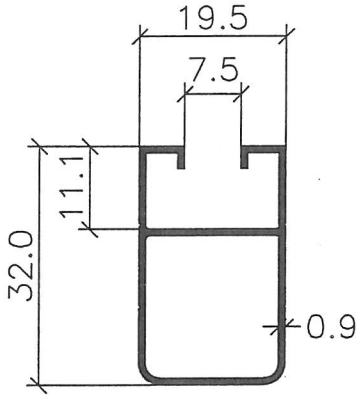
0909M



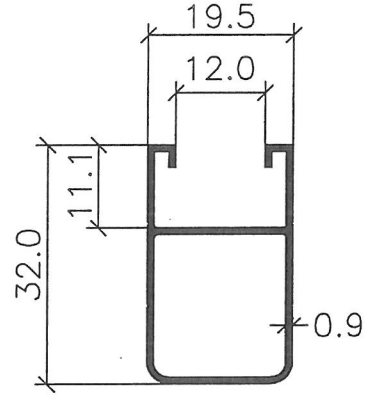
**NOTE:**

- THE DRAWINGS ARE NOT TO SCALE
- ALL DIMENSION ARE SHOWN IN MM, OTHERWISE WOULD BE STATED
- DRAWING AS UPDATED ON 22.07.16

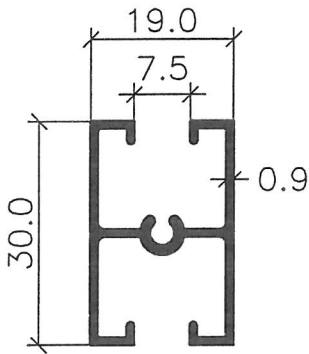
**MESH**



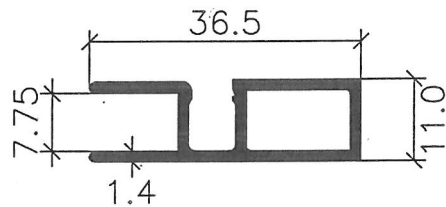
**2019**



**2046**



**0913**



**0921**

**NOTE:**

- THE DRAWINGS ARE NOT TO SCALE
- ALL DIMENSION ARE SHOWN IN MM, OTHERWISE WOULD BE STATED
- DRAWING AS UPDATED ON 08.10.16



8/10/16.