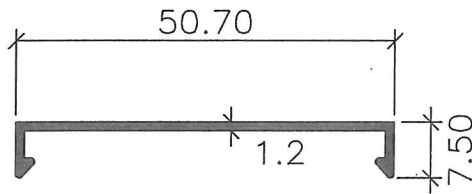
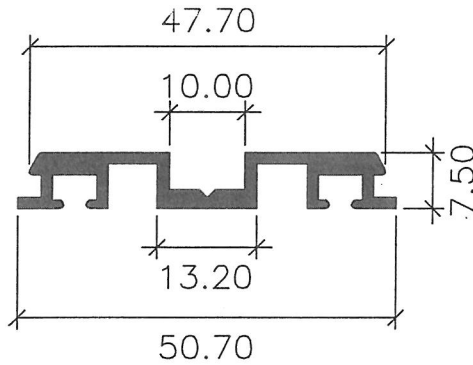


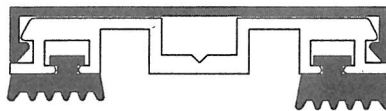
**MISCELLANEOUS**



**2157**



**2156**



**5030-B197      5030-B198**

**MATCHING DIAGRAM**

**NOTE:**

- THE DRAWINGS ARE NOT TO SCALE
- ALL DIMENSION ARE SHOWN IN MM, OTHERWISE WOULD BE STATED
- DRAWING AS UPDATED ON 09.06.15

