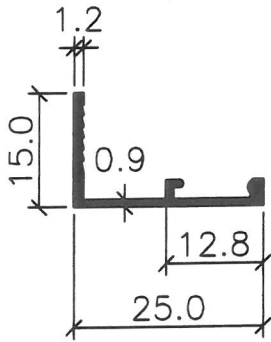
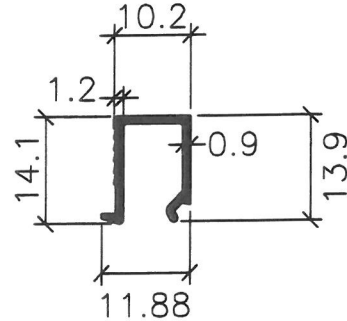


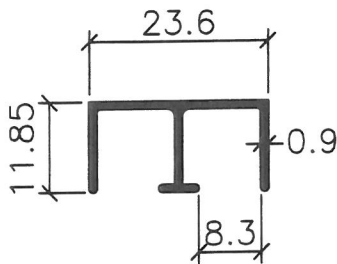
MISCELLANEOUS - SHOWCASE



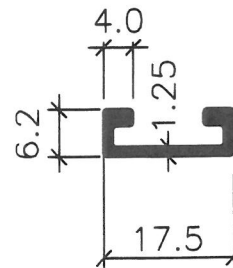
2115M



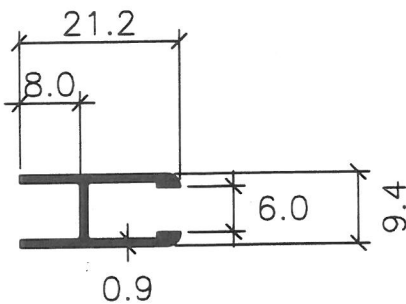
2114M



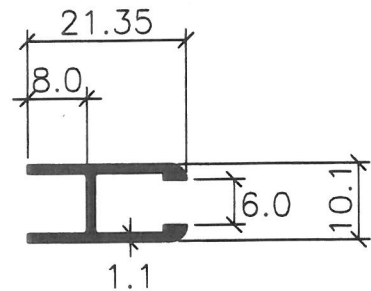
2116G



2118



2117G



2117M

Alpha Metals & Marketing Pte Ltd
 27/9/10

NOTE:
 - THE DRAWINGS ARE NOT TO SCALE
 - ALL DIMENSION ARE SHOWN IN MM, OTHERWISE WOULD BE STATED
 - DRAWING AS UPDATED ON 27.09.10